

# FLOW PRODUCTS

Fittings | Tubes | Valves | Nozzles



IRRIGATION



ANIMAL HEALTH



INDUSTRIAL



SANITATION



MEDICAL



WATER  
TREATMENT



CUTTING  
OIL



FOOD  
INDUSTRY



PNEUMATICS



 tefen

Keep your business flowing.  
Tefenitely.



## About TEFEN

Tefen Flow and Dosing Technologies is a manufacturer of fittings and flow products, with more than 50 years of experience in product development. Tefen designs, manufactures & sells a wide range of flow products.

Tefen fittings are simple to use and require no special tools to enable reliable leak-free connection.

Our products serve a broad spectrum of international market sectors such as automation, pneumatics, hydraulics, food industry, medical device, and other industrial applications, and are also used for the agriculture industry.

Tefen customers rely on innovative products and solutions that provide uncompromising connections, outstanding performance, unmatched reliability and long service life. Our application-specific solutions create value for our customers and provide them with competitive advantage.

Tefen is dedicated to quality and customer service and satisfaction customers all over the world.

Tefen is certified for ISO 9001:2015 and we meet international standards.





Food Contact  
FDA 21 CFR



Food Contact  
(EU) 1935/2004

Those prestigious stamps of approval is further proof that Tefen's PVDF products meet strict and superior standards, for public health.



NSF/ANSI 61



We are glad to continue to evolve and provide you with the high-level & high-quality, safe products that you seek.



# FLOW PRODUCTS INDEX

<b>Technical Information</b>	5
<b>Fittings</b>	
PVDF Fittings	7
Tight Push	35
Barb Block	42
Barb Connectors	53
Hose Fittings	60
Threaded Connectors	76
Quick Release	84
Unique Solutions	86
<b>Flow Products</b>	
Tubes	92
Valves	96
Spraying and Fogging Nozzles	100
Air Blow Guns	107

# Technical Information

## Recommended Tightening Torque

Thread Size	Nylon 66		PP		PVDF	
	Nm	ft lb	Nm	ft lb	Nm	ft lb
1/8"	0.1	0.07	0.01	0.01	0.1	0.07
1/4"	0.8	0.6	0.3	0.2	1	0.8
3/8"	4	3	1	1	5	3
1/2"	6	4	2	2	8	6
3/4"	8	6	5	4	16	12
1"	10	7	8	6	26	19

## Fittings Tolerances (According to ISO 2768-c)

Size mm	Tolerance
1-6	±0.3
6-30	±0.5
30-120	±0.8

## Chemical Resistance

	Water		Acids		Detergents	
	Cold	Hot	Weak	Strong	Weak	Strong
LDPE	3	1	3	2	3	3
HDPE	3	3	3	3	3	3
Nylon 6-6	3	2	1	1	3	2
Polypropylene	3	3	3	2	3	3
Acetal	3	3	2	1	3	3
PVDF	3	3	3	3	3	3

1 - Bad    2 - Medium    3 - Good

Note: Notice tube dimension differ between industries.  
Fittings' dimensions refer to tube ID or OD, with respect to the common application.

Use thread seal tape



Minimum straight tube segment



## MAINTENANCE

Tefen's fittings require minimum maintenance. Nevertheless, a visual periodic inspection is recommended. If damage or abrasion is spotted, please replace the fitting, and make sure it fits the application.

## DISCLAIMER

All technical data is based on theoretical values and experiments held in Tefen's laboratory.

The information in this catalog is for reference only. Please consult our representatives for further details and advice.

**Tefen is constantly seeking ways to improve the specifications of its products.**

Whilst every effort is made to produce up-to-date literature, this catalog should not be regarded as an infallible guide to current specifications, nor does it constitute an offer for the sale of any particular product. Prospective purchasers of the products from Tefen should satisfy themselves at the time they place the order as to the suitability of the products for the particular application. We have the right to alter specification without prior notice



# PVDF Fittings

PVDF (Polyvinylidene fluoride) is a well-known engineering polymer. It demonstrates high mechanical properties, chemical resistance and thermal advantages, as well as high stability to withstand these advantages during exposure to **UV, radioactive** and **gamma** radiation.

Tefen's PVDF is a prime virgin material certified in use with drinking water (NSF) and in food stuff (FDA), Up to 120° [C]. It is mainly used in the petrochemical, semiconductors, water distillation, pharma and food industries.

\* Nuts material is Reinforced PP  
white - mm | blue - inch



# Fittings Products

## PVDF Fittings

PVDF



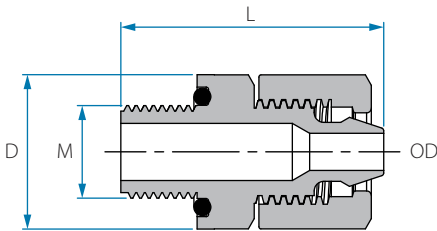
**Working pressure**  
Up to 14 BAR  
(200 psi) at 20 °C



**Temperature**  
-20 °C -120 °C  
(subject to application)



**Fittings' dimensions**  
refer to tube ID or OD, with respect  
to the common application



### Male Barb Block Connector (with O-Ring)

Cat. No.	Tube OD mm	M (BSPP)	L mm	D mm	Color	O-ring
22F56846021	6	1/8"	27.2	16.0	White	Silicone
22F56846041	6	1/4"	30.9	19.4		
22F56848021	8	1/8"	27.3	16.0	White	Silicone
22F56848041	8	1/4"	31.1	19.3		
22F56850021	10	1/8"	27.2	16.0	White	Silicone
22F56850041	10	1/4"	31.0	19.4		

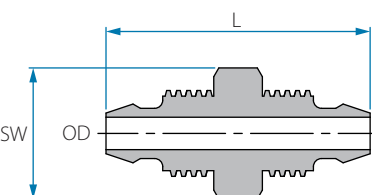
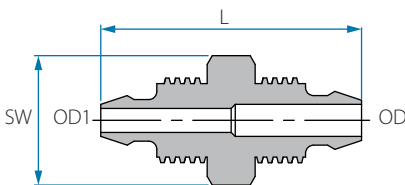
Note: Packing 25 unit

\* Nuts material is Reinforced PP

Cat. No.	Tube OD inch	M (BSPP)	L mm	D mm	Color	O-ring
22F56804021	1/4"	1/8"	27.1	16.0	White & Navy Blue	Silicone
22F56804041	1/4"	1/4"	30.9	19.4		

Note: Packing 25 unit

\* Nuts material is Reinforced PP



### Reducing Barb Block Connector

Cat. No.	Tube OD mm	OD1 mm	L mm	SW	Color
22055648461	8	6	32.7	14	White

Cat. No.	Tube OD inch	OD1 inch	L mm	SW	Color
22255605041	5/16"	1/4"	32.7	14	White & Navy Blue

Note: Packing 25 unit

\* Nuts material is Reinforced PP

### Union Barb Block Connector

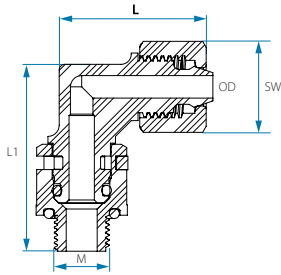
Cat. No.	Tube OD mm	L mm	SW	Color
22056246001	6	32.7	14	White
22056248001	8	32.7	14	
22056252001	12	40.6	19	

Cat. No.	Tube OD inch	L mm	SW	Color
22256204001	1/4"	32.7	14	White & Navy Blue
22256205001	5/16"	32.7	14	
22256208001	1/2"	40.6	19	

Note: Packing 25 unit

\* Nuts material is Reinforced PP

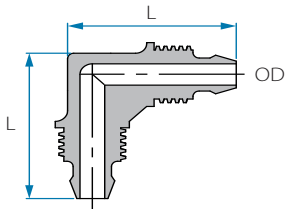




## Union Elbow swivel Connector

Cat. No.	Tube OD mm	M BSPP	L mm	LI	SW	O-ring	Color
22566948021	8	1/8"	27.3	33.2	16	Viton	White
22566948041	8	1/4"	27.3	33.2	16	Viton	White

Cat. No.	Tube OD mm	M BSPP	L mm	LI	SW	O-ring	Color
22566904021	8	1/4"	27.3	33.2	16	Viton	White & Navy Blue
22566904021	8	1/4"	27.3	33.2	16	Viton	White & Navy Blue



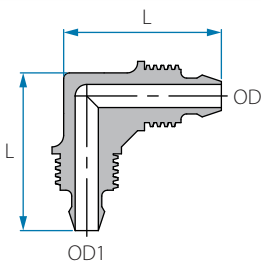
## Union Elbow Barb Block Connector

Cat. No.	Tube OD mm	L mm	Color
22056546001	6	27.4	White
22056548001	8	27.4	
22056552001	12	40.5	

Cat. No.	Tube OD inch	L mm	Color
22256504001	1/4"	27.4	White & Navy Blue
22256505001	5/16"	27.4	
22256508001	1/2"	40.5	

Note: Packing 25 unit

\* Nuts material is Reinforced PP



## Reducing Elbow Barb Block Connector

Cat. No.	Tube OD mm	OD1 mm	L mm	Color
22055748461	8	6	27.3	White

Note: Packing 25 unit

\* Nuts material is Reinforced PP

# Fittings Products

## PVDF Fittings

PVDF



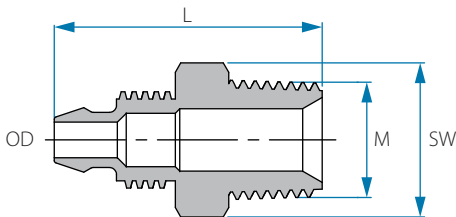
**Working pressure**  
Up to 14 BAR  
(200 psi) at 20 °C



**Temperature**  
-20 °C -120 °C  
(subject to application)



**Fittings' dimensions**  
refer to tube ID or OD, with respect  
to the common application



### Male BSPT Barb Block Connector

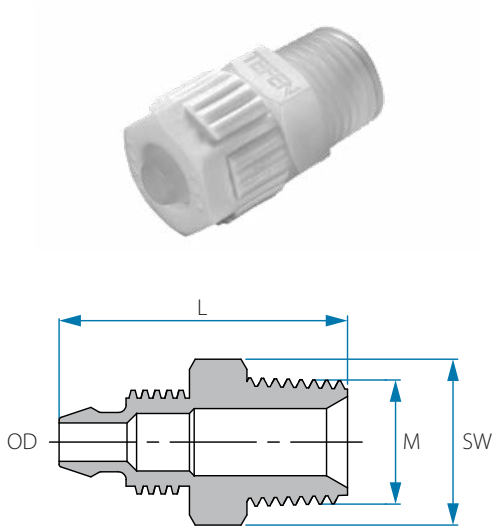
Cat. No.	Tube OD mm	M (BSPT)	L mm	SW	Color
22056846021	6	1/8"	28.2	13	
22056846041	6	1/4"	31	15	
22056846061	6	3/8"	31.4	17	
22056846081	6	1/2"	34.1	22	
22056846121	6	3/4"	35.5	27	
22056848021	8	1/8"	28.1	13	
22056848041	8	1/4"	29.5	15	
22056848061	8	3/8"	31.7	17	
22056848081	8	1/2"	34.1	22	
22056848121	8	3/4"	26.1	27	White
22056850041	10	1/4"	36.1	17	
22056850061	10	3/8"	35.8	17	
22056850081	10	1/2"	37.9	22	
22056850121	10	3/4"	38.9	27	
22056852041	12	1/4"	36.6	17	
22056852061	12	3/8"	37.3	17	
22056852081	12	1/2"	40.1	22	
22056852121	12	3/4"	40.1	27	

Cat. No.	Tube OD inch	M (BSPT)	L mm	SW	Color
22056804021	1/4"	1/8"	27.5	13	
22056804041	1/4"	1/4"	31.1	15	
22056804061	1/4"	3/8"	31.8	17	
22056804081	1/4"	1/2"	35.5	22	
22056804121	1/4"	3/4"	35.5	27	
22056805021	5/16"	1/8"	27.6	13	
22056805041	5/16"	1/4"	29.5	15	
22056805061	5/16"	3/8"	31.4	18	
22056806041	3/8"	1/4"	36.1	17	White & Navy Blue
22056806061	3/8"	3/8"	36.6	17	
22056806081	3/8"	1/2"	35.8	22	
22056806121	3/8"	3/4"	35.8	27	
22056808041	1/2"	1/4"	38.9	14	
22056808061	1/2"	3/8"	37	17	
22056808081	1/2"	1/2"	37.3	22	
22056808121	1/2"	3/4"	40.1	27	

Note: Packing 25 unit

\* Nuts material is Reinforced PP

## Male NPT Barb Block Connector



Cat. No.	Tube OD inch	M (NPT)	L mm	SW	Color
22256804021	1/4"	1/8"	29.4	13	White & Grey
22256804041	1/4"	1/4"	34.0	15	
22256804061	1/4"	3/8"	35.1	18	
22256804081	1/4"	1/2"	40.2	22	
22256804121	1/4"	3/4"	41.0	27	
22256805021	5/16"	1/8"	29.4	13	
22256805041	5/16"	1/4"	34.0	15	
22256805061	5/16"	3/8"	35.1	18	
22256805081	5/16"	1/2"	40.2	22	
22256805121	5/16"	3/4"	41.0	27	
22256806041	3/8"	1/4"	37.6	15	
22256806061	3/8"	3/8"	38.6	18	
22256806081	3/8"	1/2"	43.7	22	
22256806121	3/8"	3/4"	44.4	27	
22256808041	1/2"	1/4"	38.8	15	
22256808061	1/2"	3/8"	40.0	18	
22256808081	1/2"	1/2"	45.0	22	
22256808121	1/2"	3/4"	45.8	18	

Note: Packing 25 unit

\* Nuts material is Reinforced PP

# Fittings Products

## PVDF Fittings

PVDF



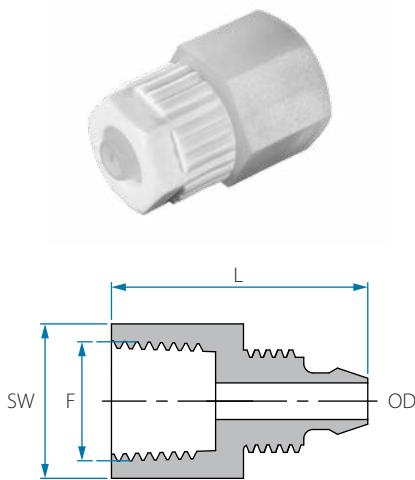
**Working pressure**  
Up to 14 BAR  
(200 psi) at 20 °C



**Temperature**  
-20 °C -120 °C  
(subject to application)



**Fittings' dimensions**  
refer to tube ID or OD, with respect  
to the common application



### Female BSPT Barb Block Connector

Cat. No.	Tube OD mm	F (BSPT)	L mm	SW	Color
22056646021	6	1/8"	26.3	14	
22056646041	6	1/4"	27.8	17	
22056648021	8	1/8"	26.3	14	
22056648041	8	1/4"	28.0	17	
22056648061	8	3/8"	30.6	22	White
22056648081	8	1/2"	32.5	26	
22056650041	10	1/4"	31.7	17	
22056650061	10	3/8"	33.0	22	
22056650081	10	1/2"	35.1	26	

Cat. No.	Tube OD inch	F (BSPT)	L mm	SW	Color
22056604021	1/4"	1/8"	26.3	14	
22056604041	1/4"	1/4"	27.8	17	
22056605021	5/16"	1/8"	26.3	14	
22056605041	5/16"	1/4"	28.0	17	
22056605061	5/16"	3/8"	30.6	22	White & Navy Blue
22056605081	5/16"	1/2"	32.5	26	
22056606041	3/8"	1/4"	31.7	17	
22056606061	3/8"	3/8"	33.0	22	
22056606081	3/8"	1/2"	35.1	26	

Note: Packing 25 unit

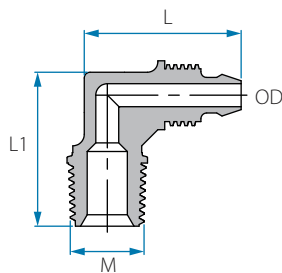
\* Nuts material is Reinforced PP

### Female NPT Barb Block Connector

Cat. No.	Tube OD inch	F (NPT)	L mm	SW	Color
22256605061	5/16"	3/8"	33.8	14	
22256605081	5/16"	1/2"	37.3	14	
22256606041	3/8"	1/4"	32.9	17	White & Grey
22256606061	3/8"	3/8"	34.5	17	
22256606081	3/8"	1/2"	38.0	17	

Note: Packing 25 unit

\* Nuts material is Reinforced PP



## BSPT Male Elbow Barb Block Connector

Cat. No.	Tube OD mm	M (BSPT)	L mm	L1 mm	Color
22056946021	6	1/8"	27.6	22.4	White
22056946041	6	1/4"	27.6	26.8	
22056948021	8	1/8"	27.6	26.8	
22056948041	8	1/4"	27.6	26.8	
22056948061	8	3/8"	28.1	29.4	
22056952041	12	1/4"	40.3	31.7	
22056952061	12	3/8"	40.3	32.0	
22056952081	12	1/2"	40.3	36.0	

Cat. No.	Tube OD inch	M (BSPT)	L mm	L1 mm	Color
22056904021	1/4"	1/8"	27.6	22.4	White & Navy Blue
22056904041	1/4"	1/4"	27.6	26.8	
22056905021	5/16"	1/8"	27.6	26.8	
22056905041	5/16"	1/4"	27.6	26.8	
22056905061	5/16"	3/8"	28.1	29.4	
22056908041	1/2"	1/4"	40.3	31.7	
22056908061	1/2"	3/8"	40.3	32.0	
22056908081	1/2"	1/2"	40.3	36.0	

Note: Packing 25 unit

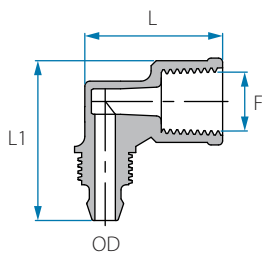
\* Nuts material is Reinforced PP

## NPT Male Elbow Barb Block Connector

Cat. No.	Tube OD inch	M (NPT)	L mm	L1 mm	Color
22256904021	1/4"	1/8"	24.0	27.5	White & Grey
22256904041	1/4"	1/4"	29.0	27.5	
22256905021	5/16"	1/8"	24.0	27.5	
22256905041	5/16"	1/4"	29.0	27.5	

Note: Packing 25 unit

\* Nuts material is Reinforced PP



## BSPT Female Elbow Barb Block Connector

Cat. No.	Tube OD mm	F (BSPT)	L mm	L1 mm	Color
22056046021	6	1/8"	25.1	27.3	White
22056046041	6	1/4"	27.0	27.3	
22056048041	8	1/4"	27.0	27.3	

Note: Packing 25 unit

\* Nuts material is Reinforced PP

# Fittings Products

## PVDF Fittings

PVDF



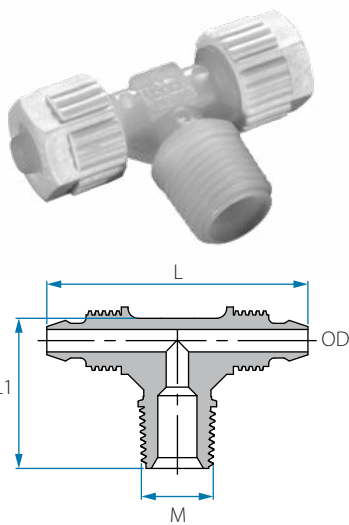
**Working pressure**  
Up to 14 BAR  
(200 psi) at 20 °C



**Temperature**  
-20 °C -120 °C  
(subject to application)



**Fittings' dimensions**  
refer to tube ID or OD, with respect  
to the common application

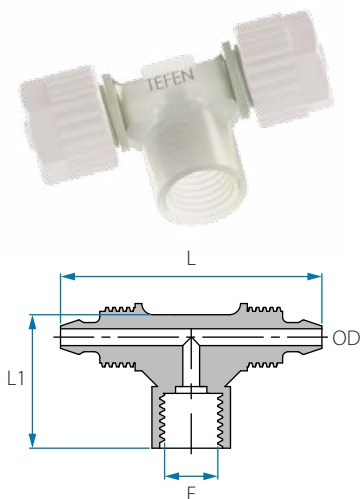


### BSPT Male Barb Block Branch T

Cat. No.	Tube OD mm	M (BSPT)	L mm	L1 mm	Color
22057146021	6	1/8"	46.8	22.6	☐ White
22057146041	6	1/4"	46.8	26.8	
22057148021	8	1/8"	46.8	22.6	
22057148041	8	1/4"	46.8	26.8	
22057148061	8	3/8"	47.2	29.4	
22057152041	12	1/4"	67.0	31.6	
22057152061	12	3/8"	67.0	32.0	
22057152081	12	1/2"	67.0	36.0	

Cat. No.	Tube OD inch	M (BSPT)	L mm	L1 mm	Color
22057104021	1/4"	1/8"	46.8	22.6	☐ White & Navy Blue
22057104041	1/4"	1/4"	46.8	26.8	
22057105021	5/16"	1/8"	46.8	22.6	
22057105041	5/16"	1/4"	46.8	26.8	
22057105061	5/16"	3/8"	47.2	29.4	
22057108041	1/2"	1/4"	67.0	31.6	
22057108061	1/2"	3/8"	67.0	32.0	

Note: Packing 25 unit  
\* Nuts material is Reinforced PP



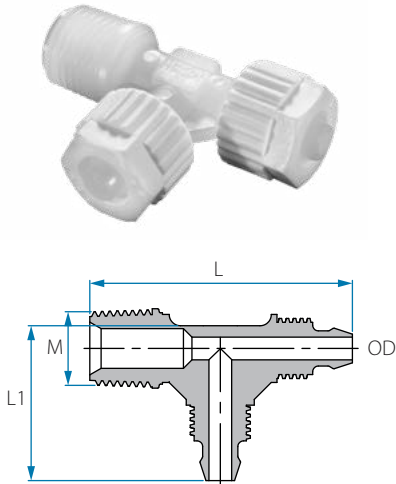
### BSPT Female Branch Barb Block Connector

Cat. No.	Tube OD mm	F (BSPT)	L mm	L1 mm	Color
22057346021	6	1/8"	46.6	25.0	☐ White
22057348041	8	1/4"	46.8	28.9	

Cat. No.	Tube OD inch	F (BSPT)	L mm	L1 mm	Color
22057304021	1/4"	1/8"	46.6	25.0	☐ White & Navy Blue
22057305041	5/16"	1/4"	46.8	27.2	

Note: Packing 25 unit  
\* Nuts material is Reinforced PP

## BSPT Barb Block Male Run T



Cat. No.	Tube OD mm	M (BSPT)	L mm	L1 mm	Color
22057246021	6	1/8"	41.9	27.5	☐ White
22057246041	6	1/4"	46.2	27.5	
22057248021	8	1/8"	41.9	27.5	
22057248041	8	1/4"	46.2	27.5	
22057248061	8	3/8"	58.8	43.2	
22057252041	12	1/4"	57.7	40.3	
22057252061	12	3/8"	62.5	40.3	
22057252081	12	1/2"	62.7	40.4	

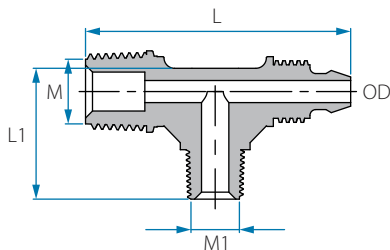
Cat. No.	Tube OD inch	M (BSPT)	L mm	L1 mm	Color
22057204021	1/4"	1/8"	41.9	27.5	☐ White & Navy Blue
22057204041	1/4"	1/4"	46.2	27.5	
22057205021	5/16"	1/8"	41.9	27.5	
22057205041	5/16"	1/4"	46.2	27.5	
22057205061	5/16"	3/8"	58.8	43.2	
22057208041	1/2"	1/4"	57.7	40.3	
22057208061	1/2"	3/8"	62.5	40.3	
22057208081	1/2"	1/2"	62.7	40.4	

Note: Packing 25 unit  
\* Nuts material is Reinforced PP

## NPT Male Barb Block Run T

Cat. No.	Tube OD inch	M (NPT)	L mm	L1 mm	Color
22257204021	1/4"	1/8"	43.4	27.4	☐ White & Grey
22257204041	1/4"	1/4"	48.2	27.4	
22257205021	5/16"	1/8"	43.5	27.4	
22257205041	5/16"	1/4"	48.3	27.4	
22257205061	5/16"	3/8"	67.0	27.4	
22257208021	1/2"	1/8"	48.0	43.2	

Note: Packing 25 unit  
\* Nuts material is Reinforced PP



## BSPT Male Barb Block T - 2 threads

Cat. No.	Tube OD mm	M (BSPT)	M1 (BSPT)	L mm	L1 mm	Color
22057802041	8	1/4"	1/8"	46.2	22.6	☐ White

Note: Packing 25 unit  
\* Nuts material is Reinforced PP

# Fittings Products

## PVDF Fittings

PVDF



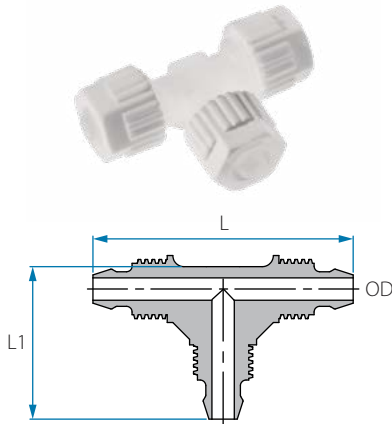
**Working pressure**  
Up to 14 BAR  
(200 psi) at 20 °C



**Temperature**  
-20 °C -120 °C  
(subject to application)



**Fittings' dimensions**  
refer to tube ID or OD, with respect  
to the common application

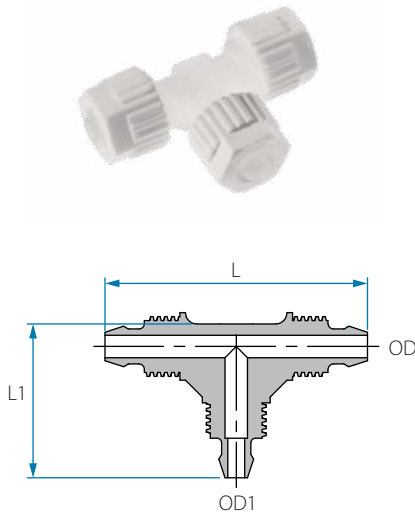


### Union T Barb Block Connector

Cat. No.	Tube OD mm	L mm	L1 mm	Color
22056446461	6	46.8	27.5	
22056448481	8	46.8	27.5	White
22056452521	12	67.1	40.4	

Cat. No.	Tube OD inch	L mm	L1 mm	Color
22256404041	¼"	46.8	27.5	White & Navy Blue
22256405051	⅝"	46.8	27.5	
22256408081	½"	67.1	40.4	

Note: Packing 25 unit  
\* Nuts material is Reinforced PP



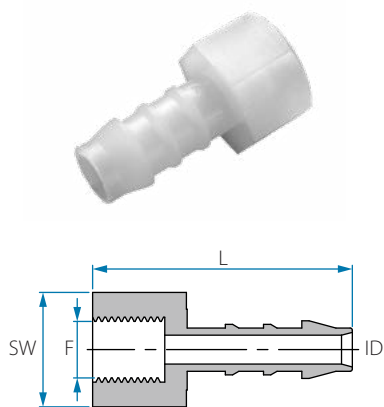
### Reducing T Barb Block Connector

Cat. No.	Tube OD mm	OD1 mm	L mm	L1 mm	Color
22055846481	6	8	46.8	27.4	
22055848461	8	6	46.8	27.4	White

Note: Packing 25 unit  
\* Nuts material is Reinforced PP



## BSPT Female Hose Connector

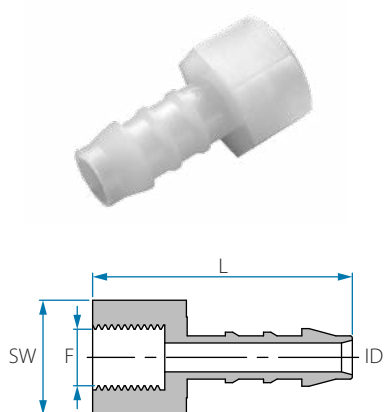


Cat. No.	Tube ID mm	F (BSPT)	L mm	SW	Color
12556745021	5	1/8"	34.4	14	
12556745041	5	1/4"	35.2	17	
12556745061	5	3/8"	36.5	22	
12556745081	5	1/2"	38.7	26	
12556746021	6	1/8"	36.3	14	
12556746041	6	1/4"	37.2	17	
12556746061	6	3/8"	38.3	22	
12556746081	6	1/2"	40.8	26	
12556748021	8	1/8"	38.2	14	
12556748041	8	1/4"	39.4	17	
12556748061	8	3/8"	40.4	22	
12556748081	8	1/2"	42.7	26	
12556750041	10	1/4"	41.5	17	
12556750061	10	3/8"	42.3	22	
12556750081	10	1/2"	45.0	26	
12556752041	12	1/4"	42.4	17	
12556752061	12	3/8"	43.3	22	
12556752081	12	1/2"	46.0	26	
12556754061	14	3/8"	45.0	22	
12556754081	14	1/2"	47.3	26	
12556756081	16	1/2"	48.1	26	
12556759081	19	1/2"	48.8	26	

White

Note: Packing 25 unit

## NPT Female Hose Connector



Cat. No.	Tube ID inch	F (NPT)	L mm	SW	Color
12356704021	1/4"	1/8"	36.7	14	
12356704041	1/4"	1/4"	40.1	17	
12356704061	1/4"	3/8"	40.0	22	
12356704081	1/4"	1/2"	43.7	27	
12356705021	5/16"	1/8"	38.9	14	
12356705041	5/16"	1/4"	41.8	17	
12356705061	5/16"	3/8"	42.0	22	
12356705081	5/16"	1/2"	45.0	27	
12356706041	3/8"	1/4"	44.1	17	
12356706061	3/8"	3/8"	43.9	22	
12356706081	3/8"	1/2"	47.2	27	
12356708041	1/2"	1/4"	44.7	17	
12356708061	1/2"	3/8"	45.2	22	
12356708081	1/2"	1/2"	48.8	27	
12356709061	9/16"	3/8"	46.5	22	
12356709081	9/16"	1/2"	50.3	27	
12356710081	5/8"	1/2"	50.4	27	
12356712081	3/4"	1/2"	51.7	27	

White

Note: Packing 25 unit

# Fittings Products

## PVDF Fittings

PVDF



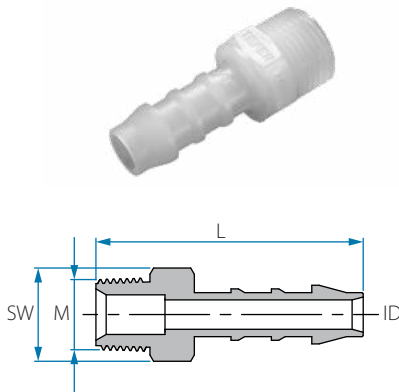
**Working pressure**  
Up to 14 BAR  
(200 psi) at 20 °C



**Temperature**  
-20 °C -120 °C  
(subject to application)



**Fittings' dimensions**  
refer to tube ID or OD, with respect  
to the common application



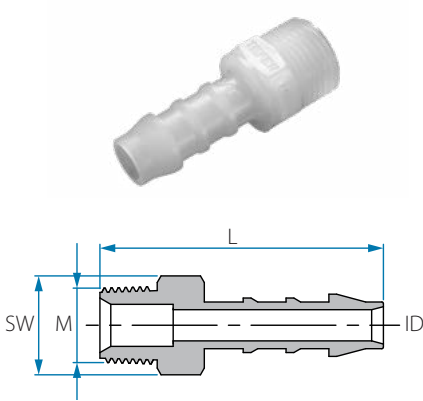
### BSPT Male Hose Connector

Cat. No.	Tube ID mm	M (BSPT)	L mm	SW	Color
12556844021	4	1/8"	31.2	11	
12556844041	4	1/4"	33.8	14	
12556845021	5	1/8"	34.7	11	
12556845041	5	1/4"	38.3	14	
12556846021	6	1/8"	35.0	11	
12556846041	6	1/4"	39.2	14	
12556846061	6	3/8"	39.1	17	
12556846081	6	1/2"	42.3	22	
12556846121	6	3/4"	43.0	22	
12556848021	8	1/8"	39.8	11	
12556848041	8	1/4"	43.0	14	
12556848061	8	3/8"	43.0	17	
12556848081	8	1/2"	46.1	22	
12556848121	8	3/4"	37.1	17	
12556850041	10	1/4"	47.1	14	
12556850061	10	3/8"	45.2	17	
12556850081	10	1/2"	48.3	22	
12556850121	10	3/4"	49.3	27	
12556852041	12	1/4"	46.0	14	
12556852061	12	3/8"	46.0	17	
12556852081	12	1/2"	49.3	22	
12556852121	12	3/4"	50.0	27	
12556854061	14	3/8"	47.5	17	
12556854081	14	1/2"	50.8	22	
12556854121	14	3/4"	51.7	27	
12556856081	16	1/2"	51.3	22	
12556856121	16	3/4"	52.2	27	
12556859081	19	1/2"	52.2	22	
12556859121	19	3/4"	53.3	27	
12556859161	19	1"	60.1	36	
12556865121	25	3/4"	54.8	27	
12556865161	25	1"	66.6	36	

White

Note: Packing 25 unit

## NPT Male Hose Connector



Cat. No.	Tube ID inch	M (NPT)	L mm	SW	Color
12356802021	5/32"	1/8"	30.7	11	
12356802041	5/32"	1/4"	35.3	14	
12356803021	3/16"	1/8"	36.3	11	
12356803041	3/16"	1/4"	39.7	14	
12356804021	1/4"	1/8"	36.1	11	
12356804041	1/4"	1/4"	40.6	14	
12356804061	1/4"	3/8"	41.9	17	
12356804081	1/4"	1/2"	46.7	22	
12356805021	5/16"	1/8"	40.2	11	
12356805041	5/16"	1/4"	44.7	14	
12356805061	5/16"	3/8"	45.9	17	
12356805081	5/16"	1/2"	51.0	22	
12356806041	3/8"	1/4"	46.5	14	
12356806061	3/8"	3/8"	47.7	17	<input type="checkbox"/> White
12356806081	3/8"	1/2"	53.2	22	
12356806121	3/8"	3/4"	54.3	27	
12356808041	1/2"	1/4"	47.7	14	
12356808061	1/2"	3/8"	48.9	17	
12356808081	1/2"	1/2"	53.7	22	
12356808121	1/2"	3/4"	54.7	27	
12356809061	9/16"	3/8"	51.6	17	
12356809081	9/16"	1/2"	55.4	22	
12356809121	9/16"	3/4"	56.1	27	
12356810081	5/8"	1/2"	56.3	22	
12356810121	5/8"	3/4"	56.8	27	
12356812081	3/4"	1/2"	56.9	22	
12356812121	3/4"	3/4"	57.7	27	

Note: Packing 25 unit

# Fittings Products

## PVDF Fittings

PVDF



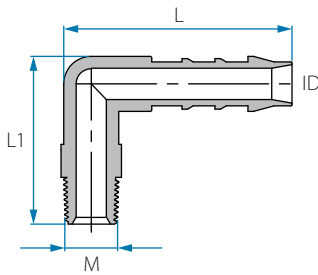
**Working pressure**  
Up to 14 BAR  
(200 psi) at 20 °C



**Temperature**  
-20 °C -120 °C  
(subject to application)



**Fittings' dimensions**  
refer to tube ID or OD, with respect  
to the common application

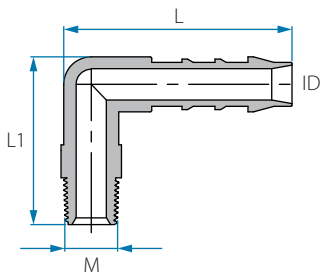


### BSPT Male Elbow Hose Connector

Cat. No.	Tube ID mm	M (BSPT)	L mm	L1 mm	Color
12556944021	4	1/8"	26.7	24.1	
12556944041	4	1/4"	26.7	27.2	
12556945021	5	1/8"	31.8	26.8	
12556945041	5	1/4"	29.8	32.0	
12556945081	5	1/2"	31.8	33.0	
12556946021	6	1/8"	35.5	27.3	
12556946041	6	1/4"	35.5	29.8	
12556946061	6	3/8"	35.5	30.0	
12556946081	6	1/2"	35.5	33.7	
12556948021	8	1/8"	41.5	30.4	
12556948041	8	1/4"	41.5	32.8	
12556948061	8	3/8"	41.5	32.8	
12556948081	8	1/2"	41.5	36.8	
12556950041	10	1/4"	45.5	33.9	
12556950061	10	3/8"	45.5	34.1	
12556950081	10	1/2"	45.5	37.8	
12556950121	10	3/4"	45.5	38.9	
12556952041	12	1/4"	48.7	35.0	
12556952061	12	3/8"	48.7	35.3	
12556952081	12	1/2"	48.7	39.0	
12556952121	12	3/4"	48.7	39.7	
12556954061	14	3/8"	51.4	38.5	
12556954081	14	1/2"	51.4	42.3	
12556954121	14	3/4"	51.4	43.3	
12556956081	16	1/2"	53.7	44.9	
12556956121	16	3/4"	53.7	46.0	
12556959081	19	1/2"	56.0	46.4	
12556959121	19	3/4"	56.4	47.5	

White

Note: Packing 25 unit



## NPT Male Elbow Hose Connector

Cat. No.	Tube ID inch	M (NPT)	L mm	L1 mm	Color
12356902021	5/32"	1/8"	25.7	26.0	
12356902041	5/32"	1/4"	25.9	31.1	
12356903021	3/16"	1/8"	31.8	28.6	
12356903041	3/16"	1/4"	33.5	31.8	
12356903081	3/16"	1/2"	40.1	31.8	
12356904021	1/4"	1/8"	35.4	29.0	
12356904041	1/4"	1/4"	35.5	33.7	
12356904061	1/4"	3/8"	35.5	33.8	
12356904081	1/4"	1/2"	40.0	35.4	
12356905021	5/16"	1/8"	41.5	32.1	
12356905041	5/16"	1/4"	41.2	36.7	
12356905061	5/16"	3/8"	41.5	36.6	
12356905081	5/16"	1/2"	41.5	43.1	
12356906041	3/8"	1/4"	45.4	37.7	
12356906061	3/8"	3/8"	45.3	37.5	<input type="checkbox"/> White
12356906081	3/8"	1/2"	45.4	44.4	
12356906121	3/8"	3/4"	45.4	44.0	
12356908041	1/2"	1/4"	48.6	39.0	
12356908061	1/2"	3/8"	48.3	28.6	
12356908081	1/2"	1/2"	48.7	45.2	
12356908121	1/2"	3/4"	48.7	45.2	
12356909061	9/16"	3/8"	51.4	42.2	
12356909081	9/16"	1/2"	51.4	48.6	
12356909121	9/16"	3/4"	51.5	48.5	
12356910081	5/8"	1/2"	53.8	51.5	
12356910121	5/8"	3/4"	53.8	51.4	
12356912081	3/4"	1/2"	56.6	52.8	
12356912121	3/4"	3/4"	56.2	53.0	

Note: Packing 25 unit

# Fittings Products

## PVDF Fittings

PVDF



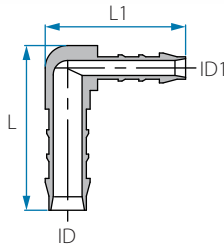
**Working pressure**  
Up to 14 BAR  
(200 psi) at 20 °C



**Temperature**  
-20 °C -120 °C  
(subject to application)



**Fittings' dimensions**  
refer to tube ID or OD, with respect  
to the common application

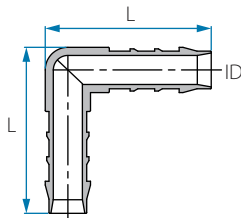


### Reducing Elbow Hose Connector

Cat. No.	Tube ID mm	Tube ID1 mm	L mm	L1 mm	Color
12556645441	5	4	31.8	27.8	
12556646441	6	4	35.5	29.0	
12556646451	6	5	35.4	34.1	
12556648461	8	6	41.6	39.3	
12556650461	10	6	45.3	40.1	White
12556650481	10	8	42.1	45.2	
12556652501	12	10	48.7	45.6	
12556654521	14	12	51.5	49.6	
12556656541	16	14	53.8	53.6	
12556659561	19	16	56.2	56.1	

Cat. No.	Tube ID inch	Tube ID1 inch	L mm	L1 mm	Color
12356603021	3/16"	5/32"	31.8	27.9	
12356604031	1/4"	3/16"	35.5	34.0	
12356605041	5/16"	1/4"	41.6	39.4	
12356606041	3/8"	1/4"	45.3	40.2	
12356606051	3/8"	5/16"	45.5	42.5	White
12356608061	1/2"	3/8"	48.6	45.8	
12356609081	9/16"	1/2"	51.1	49.8	
12356610091	5/8"	9/16"	53.6	53.6	
12356612101	3/4"	5/8"	55.8	55.8	

Note: Packing 25 unit



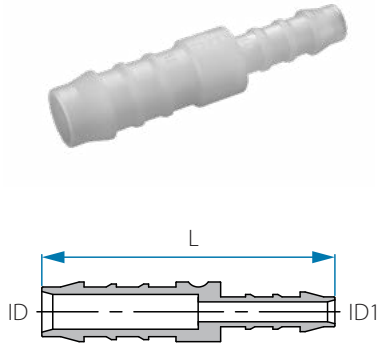
### Union Elbow Hose Connector

Cat. No.	Tube ID mm	L mm	Color
12556544001	4	26.3	
12556545001	5	31.7	
12556546001	6	35.5	
12556548001	8	34.7	
12556550001	10	40.9	White
12556552001	12	46.3	
12556554001	14	51.0	
12556556001	16	53.9	
12556559001	19	55.3	

Cat. No.	Tube ID inch	L mm	Color
12356502001	5/32"	26.3	
12356503001	3/16"	31.7	
12356504001	1/4"	35.5	
12356505001	5/16"	34.7	
12356506001	3/8"	40.9	White
12356508001	1/2"	46.3	
12356509001	9/16"	51.0	
12356510001	5/8"	53.9	
12356512001	3/4"	55.3	

Note: Packing 25 unit

## Reducing Hose Connector



Cat. No.	Tube ID mm	Tube ID1 mm	L mm	Color
12555645441	5	4	42.2	
12555646441	6	4	45.7	
12555646451	6	5	50.6	
12555648451	8	5	54.4	
12555648461	8	6	56.3	
12555650461	10	6	58.9	
12555650481	10	8	62.0	
12555652481	12	8	63.8	<input type="checkbox"/> White
12555652501	12	10	65.3	
12555654501	14	10	69.1	
12555654521	14	12	69.9	
12555656521	16	12	70.3	
12555656541	16	14	71.7	
12555659541	19	14	72.7	
12555659561	19	16	73.2	

Cat. No.	Tube ID inch	Tube ID1 inch	L mm	Color
12355603021	3/16"	5/32"	42.2	
12355604021	1/4"	5/32"	45.7	
12355604031	1/4"	3/16"	50.6	
12355605031	5/16"	3/16"	54.4	
12355605041	5/16"	1/4"	56.3	
12355606041	3/8"	1/4"	58.9	
12355606051	3/8"	5/16"	62.0	
12355608051	1/2"	5/16"	63.8	<input type="checkbox"/> White
12355608061	1/2"	3/8"	65.3	
12355609061	9/16"	3/8"	69.1	
12355609081	9/16"	1/2"	69.9	
12355610081	5/8"	1/2"	70.3	
12355610091	5/8"	9/16"	71.7	
12355612091	3/4"	9/16"	72.7	
12355612101	3/4"	5/8"	73.2	

Note: Packing 25 unit

# Fittings Products

## PVDF Fittings

PVDF



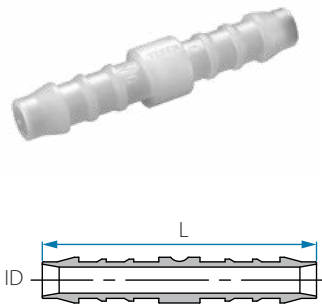
**Working pressure**  
Up to 14 BAR  
(200 psi) at 20 °C



**Temperature**  
-20 °C -120 °C  
(subject to application)



**Fittings' dimensions**  
refer to tube ID or OD, with respect  
to the common application

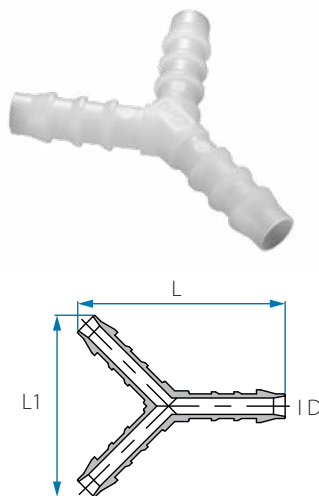


### Union Hose Connector

Cat. No.	Tube ID mm	L mm	Color
12556244001	4	36.6	
12556245001	5	47.0	
12556246001	6	52.2	
12556248001	8	59.3	
12556250001	10	63.0	White
12556252001	12	66.0	
12556254001	14	71.8	
12556256001	16	72.5	
12556259001	19	73.5	

Cat. No.	Tube ID inch	L mm	Color
12356202001	5/32"	36.6	
12356203001	3/16"	47.0	
12356204001	1/4"	52.2	
12356205001	5/16"	59.3	
12356206001	3/8"	63.0	White
12356208001	1/2"	66.3	
12356209001	9/16"	71.9	
12356210001	5/8"	71.4	
12356211001	11/16"	59.1	
12356212001	3/4"	73.8	

Note: Packing 25 unit



### Y Hose Connector

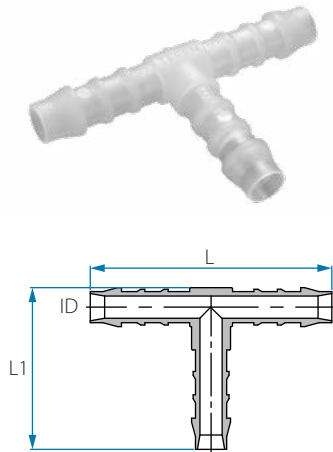
Cat. No.	Tube ID mm	L mm	L1 mm	Color
12556344441	4	35.0	31.0	
12556346461	6	51.2	44.5	
12556348481	8	56.6	40.6	White
12556350501	10	62.3	55.0	
12556357571	17	63.3	57.7	

Cat. No.	Tube ID inch	L mm	L1 mm	Color
12356302021	5/32"	35.5	30.8	
12356304041	1/4"	50.8	44.3	
12356305051	5/16"	55.6	49.4	White
12356306061	3/8"	60.8	54.9	
12356311111	11/16"	62.5	57.4	

Note: Packing 25 unit



## Union T Hose Connector

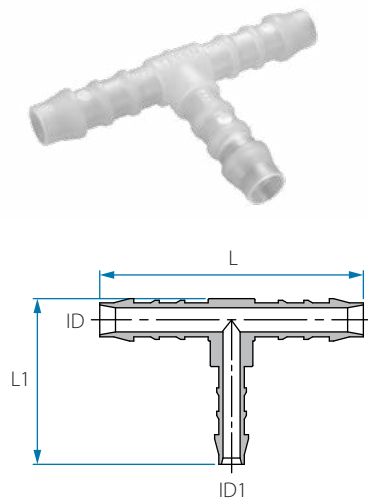


Cat. No.	Tube ID mm	L mm	L1 mm	Color
12556444441	4	39.5	24.3	
12556445451	5	50.7	30.8	
12556446461	6	55.8	34.0	
12556448481	8	61.7	38.5	
12556450501	10	66.5	41.2	<input type="checkbox"/> White
12556452521	12	70.5	44.8	
12556454541	14	76.3	49.1	
12556456561	16	79.2	52.1	
12556459591	19	84.4	55.7	

Cat. No.	Tube ID inch	L mm	L1 mm	Color
12356402021	5/32"	39.4	24.3	
12356403031	3/16"	50.6	30.9	
12356404041	1/4"	55.2	31.8	
12356405051	5/16"	55.2	31.8	
12356406061	3/8"	66.5	41.4	<input type="checkbox"/> White
12356408081	1/2"	70.8	45.0	
12356409091	9/16"	76.3	49.1	
12356410101	5/8"	78.7	51.4	
12356412121	3/4"	83.8	55.9	

Note: Packing 25 unit

## Reducing T Hose Connector



Cat. No.	Tube ID mm	Tube ID1 mm	L mm	L1 mm	Color
12557245441	5	4	50.7	25.7	
12557246451	6	5	55.7	31.8	
12557248461	8	6	61.5	36.2	
12557250481	10	8	66.5	39.3	
12557252501	12	10	70.6	44.5	<input type="checkbox"/> White
12557254521	14	12	76.7	44.5	
12557256541	16	14	79.5	51.1	
12357259561	19	16	84.6	55.4	

Cat. No.	Tube ID inch	Tube ID1 inch	L mm	L1 mm	Color
12357203021	3/16"	5/32"	50.6	25.9	
12357204031	1/4"	3/16"	55.8	32.0	
12357205041	5/16"	1/4"	61.5	36.2	
12357206051	3/8"	5/16"	66.5	39.3	
12357208061	1/2"	3/8"	70.3	43.5	<input type="checkbox"/> White
12357209081	9/16"	1/2"	76.3	48.0	
12357210091	5/8"	9/16"	79.4	51.0	
12357212101	3/4"	5/8"	84.3	55.2	

Note: Packing 25 unit

# Fittings Products

## PVDF Fittings

PVDF



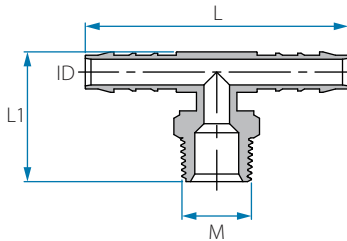
**Working pressure**  
Up to 14 BAR  
(200 psi) at 20 °C



**Temperature**  
-20 °C -120 °C  
(subject to application)



**Fittings' dimensions**  
refer to tube ID or OD, with respect  
to the common application

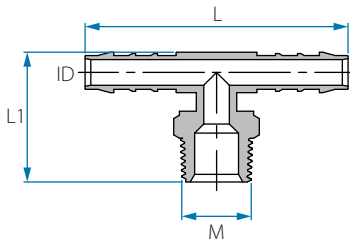


### BSPT Male Branch T Hose Connector

Cat. No.	Tube ID mm	M (BSPT)	L mm	L1 mm	Color
12557144021	4	1/8"	39.4	22.2	
12557144041	4	1/4"	45.2	27.0	
12557145021	5	1/8"	50.9	23.8	
12557145041	5	1/4"	56.5	29.6	
12557146021	6	1/8"	55.8	24.8	
12557146041	6	1/4"	63.1	30.0	
12557146061	6	3/8"	63.1	30.0	
12557146081	6	1/2"	63.1	33.8	
12557148021	8	1/8"	61.7	27.3	
12557148041	8	1/4"	72.7	33.1	
12557148061	8	3/8"	72.7	33.1	
12557148081	8	1/2"	61.8	33.9	
12557150041	10	1/4"	78.7	34.1	
12557150061	10	3/8"	78.7	34.1	<input type="checkbox"/> White
12557150081	10	1/2"	78.9	38.1	
12557150121	10	3/4"	78.9	39.1	
12557152041	12	1/4"	82.7	35.2	
12557152061	12	3/8"	82.7	35.2	
12557152081	12	1/2"	82.6	39.1	
12557152121	12	3/4"	82.6	40.0	
12557154061	14	3/8"	85.6	38.5	
12557154081	14	1/2"	85.6	42.1	
12557154121	14	3/4"	85.6	43.3	
12557156081	16	1/2"	88.2	45.0	
12557156121	16	3/4"	88.5	46.3	
12557159081	19	1/2"	90.3	46.3	
12557159121	19	3/4"	90.7	47.7	

Note: Packing 25 unit

## NPT Male Branch T Hose Connector



Cat. No.	Tube ID inch	M (NPT)	L mm	L1 mm	Color
12357102021	5/32"	1/8"	45.1	26.0	
12357102041	5/32"	1/4"	45.1	30.7	
12357103021	3/16"	1/8"	56.3	28.6	
12357103041	3/16"	1/4"	56.3	33.4	
12357103081	3/16"	1/2"	56.3	39.3	
12357104021	1/4"	1/8"	63.0	29.4	
12357104041	1/4"	1/4"	63.0	33.8	
12357104061	1/4"	3/8"	63.0	33.7	
12357104081	1/4"	1/2"	63.0	40.3	
12357105021	5/16"	1/8"	72.5	32.3	
12357105041	5/16"	1/4"	72.5	36.8	
12357105061	5/16"	3/8"	72.5	36.9	
12357105081	5/16"	1/2"	72.5	42.8	
12357106041	3/8"	1/4"	78.5	38.0	<input type="checkbox"/> White
12357106061	3/8"	3/8"	78.5	37.7	
12357106081	3/8"	1/2"	78.5	44.0	
12357106121	3/8"	3/4"	78.5	43.8	
12357108041	1/2"	1/4"	82.6	39.3	
12357108061	1/2"	3/8"	82.6	38.8	
12357108081	1/2"	1/2"	82.6	45.5	
12357108121	1/2"	3/4"	82.6	45.5	
12357109061	9/16"	3/8"	85.2	42.6	
12357109081	9/16"	1/2"	85.2	48.3	
12357109121	9/16"	3/4"	85.2	48.3	
12357110081	5/8"	1/2"	88.4	51.5	
12357110121	5/8"	3/4"	88.4	51.1	
12357112081	3/4"	1/2"	90.5	53.0	
12357112121	3/4"	3/4"	90.5	52.5	

Note: Packing 25 unit

# Fittings Products

## PVDF Fittings

PVDF



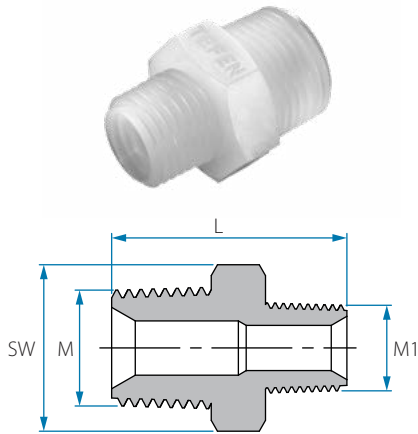
**Working pressure**  
Up to 14 BAR  
(200 psi) at 20 °C



**Temperature**  
-20 °C -120 °C  
(subject to application)



**Fittings' dimensions**  
refer to tube ID or OD, with respect  
to the common application



### BSPT Pipe Reducing Nipple

Cat. No.	M (BSPT)	MI (BSPT)	L mm	SW	Color
12052304021	1/4"	1/8"	25.2	14	
12052306021	3/8"	1/8"	27.1	17	
12052308021	1/2"	1/8"	29.3	22	<input type="checkbox"/> White
12052306041	3/8"	1/4"	28.5	17	
12052308041	1/2"	1/4"	31.5	22	
12052308061	1/2"	3/8"	31.8	22	
12052312081	3/4"	1/2"			

Note: Packing 25 unit

### NPT Pipe Reducing Nipple

Cat. No.	M (NPT)	MI (NPT)	L mm	SW	Color
12062304021	1/4"	1/8"	28.4	14	
12062306021	3/8"	1/8"	29.6	17	
12062308021	1/2"	1/8"	34.9	22	
12062312021	3/4"	1/8"	35.4	27	
12062306041	3/8"	1/4"	33.4	17	<input type="checkbox"/> White
12062308041	1/2"	1/4"	38.7	22	
12062312041	3/4"	1/4"	39.4	27	
12062308061	1/2"	3/8"	39.1	22	
12062312061	3/4"	3/8"	39.6	27	
12062312081	3/4"	1/2"	44.1	27	

Note: Packing 25 unit

### BSPT Pipe Hex Nipple

Cat. No.	M (BSPT)	L mm	SW	Color
12052202021	1/8"	22.9	11	
12052204041	1/4"	28.2	15	<input type="checkbox"/> White
12052206061	3/8"	27.7	17	
12052208081	1/2"	34	22	

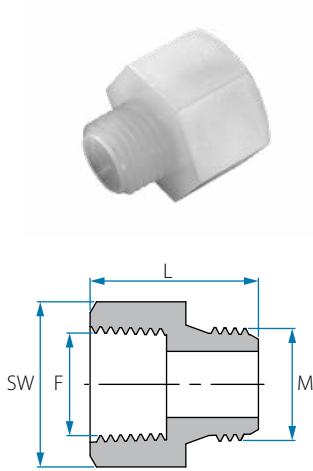
Note: Packing 25 unit

### NPT Pipe Hex Nipple

Cat. No.	M (NPT)	L mm	SW	Color
12062202021	1/8"	23.7	11	
12062204041	1/4"	32.3	14	
12062206061	3/8"	34.4	17	<input type="checkbox"/> White
12062208081	1/2"	43.3	22	
12062212121	3/4"	43.9	27	

Note: Packing 25 unit

## BSPT Pipe Adaptor



Cat. No.	F (BSPT)	M (BSPT)	L mm	SW	Color
12052002021	1/8"	1/8"	23.0	14	
12052002041	1/8"	1/4"	23.0	14	
12052002061	1/8"	3/8"	24.0	14	
12052002081	1/8"	1/2"	26.9	14	
12052004021	1/4"	1/8"	22.1	17	
12052004041	1/4"	1/4"	24.0	17	
12052004061	1/4"	3/8"	24.8	17	
12052004081	1/4"	1/2"	27.2	17	
12052006021	3/8"	1/8"	23.1	22	White
12052006041	3/8"	1/4"	25.2	22	
12052006061	3/8"	3/8"	25.7	22	
12052006081	3/8"	1/2"	28.2	22	
12052008021	1/2"	1/8"	25.6	26	
12052008041	1/2"	1/4"	27.3	26	
12052008061	1/2"	3/8"	28.0	26	
12052008081	1/2"	1/2"	30.6	26	

Note: Packing 25 unit

## NPT Pipe Adaptor

Cat. No.	F (NPT)	M (NPT)	L mm	SW	Color
12062002021	1/8"	1/8"	23.4	14	
12062002041	1/8"	1/4"	23.4	14	
12062002061	1/8"	3/8"	27.4	14	
12062002081	1/8"	1/2"	32.5	14	
12062004021	1/4"	1/8"	26.5	17	
12062004041	1/4"	1/4"	30.7	17	
12062004061	1/4"	3/8"	30.5	17	
12062004081	1/4"	1/2"	35.5	17	
12062006021	3/8"	1/8"	26.3	22	White
12062006041	3/8"	1/4"	26.5	22	
12062006061	3/8"	3/8"	30.4	22	
12062006081	3/8"	1/2"	35.5	22	
12062008021	1/2"	1/8"	30.0	26	
12062008041	1/2"	1/4"	34.0	26	
12062008061	1/2"	3/8"	36.6	26	
12062008081	1/2"	1/2"	39.0	26	

Note: Packing 25 unit

# Fittings Products

## PVDF Fittings

PVDF



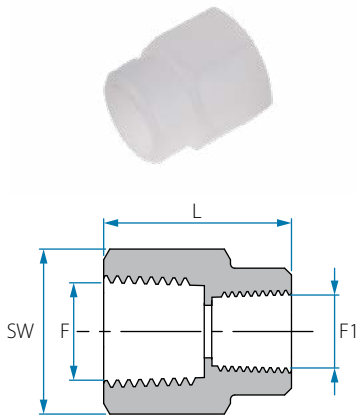
**Working pressure**  
Up to 14 BAR  
(200 psi) at 20 °C



**Temperature**  
-20 °C -120 °C  
(subject to application)



**Fittings' dimensions**  
refer to tube ID or OD, with respect  
to the common application



### BSPT Pipe Reducing Coupling

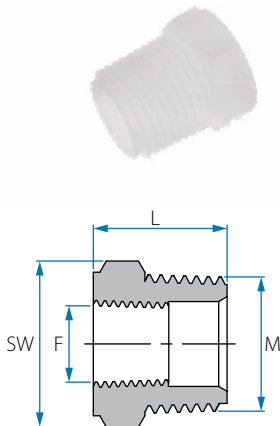
Cat. No.	F (BSPT)	F1 (BSPT)	L mm	SW	Color
12051904021	1/4"	1/8"	22.0	17	
12051906021	3/8"	1/8"	24.2	21	
12051906041	3/8"	1/4"	24.2	21	
12051908041	1/2"	1/4"	27.0	26	<input type="checkbox"/> White
12051908061	1/2"	3/8"	27.0	26	
12051912041	3/4"	1/4"	29.7	35	
12051912081	3/4"	1/2"	34.6	35	

Note: Packing 25 unit

### NPT Pipe Reducing Coupling

Cat. No.	F (NPT)	F1 (NPT)	L mm	SW	Color
12061904021	1/4"	1/8"	22.0	17	
12061906021	3/8"	1/8"	24.2	22	
12061906041	3/8"	1/4"	24.8	22	<input type="checkbox"/> White
12061908041	1/2"	1/4"	27.0	26	
12061908061	1/2"	3/8"	26.8	26	

Note: Packing 25 unit



### BSPT Pipe Bushing

Cat. No.	M (BSPT)	F (BSPT)	L mm	SW	Color
12051004021	1/4"	1/8"	17.2	14	
12051006021	3/8"	1/8"	17.8	17	
12051006041	3/8"	1/4"	17.8	17	
12051008021	1/2"	1/8"	20.4	22	
12051008041	1/2"	1/4"	20.4	22	<input type="checkbox"/> White
12051008061	1/2"	3/8"	20.7	22	
12051012041	3/4"	1/4"	22	27	
12051012061	3/4"	3/8"	22.2	27	
12051012081	3/4"	1/2"	22.2	27	

Note: Packing 25 unit

## NPT Pipe Bushing

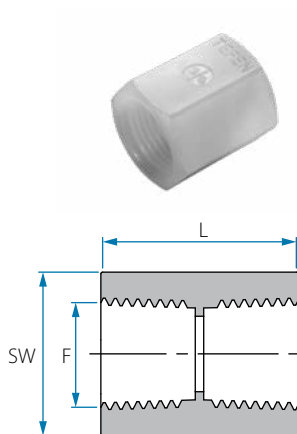
Cat. No.	M (NPT)	F (NPT)	L mm	SW	Color
12061004021	1/4"	1/8"	21.0	14	
12061006021	3/8"	1/8"	20.8	18	
12061006041	3/8"	1/4"	20.8	18	
12061008021	1/2"	1/8"	26.8	24	
12061008041	1/2"	1/4"	27.2	24	<input type="checkbox"/> White
12061008061	1/2"	3/8"	27.1	24	
12061012041	3/4"	1/4"	27.0	29	
12061012061	3/4"	3/8"	27.2	29	
12061012081	3/4"	1/2"	27.1	29	

Note: Packing 25 unit

## BSPT Female Pipe Coupling

Cat. No.	F (BSPT)	L mm	SW	Color
12050302021	1/8"	19.8	14	
12050304041	1/4"	23.3	17	
12050306061	3/8"	24.5	21	<input type="checkbox"/> White
12050308081	1/2"	29.3	26	
12050312121	3/4"	37.7	34	

Note: Packing 25 unit



## NPT Female Pipe Coupling

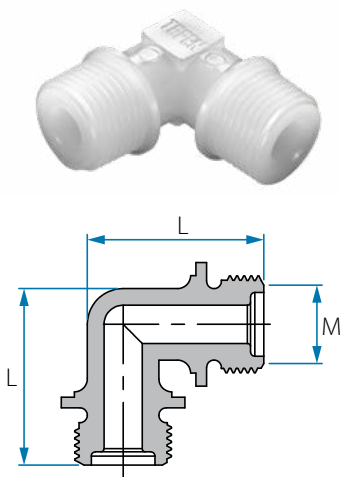
Cat. No.	F (NPT)	L mm	SW	Color
12060302021	1/8"	19.7	14	
12060304041	1/4"	23.3	17	
12060306061	3/8"	24.6	21	<input type="checkbox"/> White
12060308081	1/2"	29.2	26	

Note: Packing 25 unit

## BSPT Threaded Elbow

Cat. No.	M (BSPT)	L mm	Color
12056502001	1/8"	24.4	
12056504001	1/4"	26.4	<input type="checkbox"/> White
12056506001	3/8"	31.8	
12056508001	1/2"	40.2	

Note: Packing 25 unit



## NPT Threaded Elbow

Cat. No.	M (NPT)	L mm	Color
12066502001	1/8"	23.8	
12066504001	1/4"	28.4	<input type="checkbox"/> White

Note: Packing 25 unit

# Fittings Products

## PVDF Fittings

PVDF



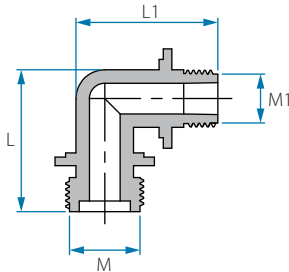
**Working pressure**  
Up to 14 BAR  
(200 psi) at 20 °C



**Temperature**  
-20 °C -120 °C  
(subject to application)



**Fittings' dimensions**  
refer to tube ID or OD, with respect  
to the common application



### BSPT Reducing Threaded Elbow

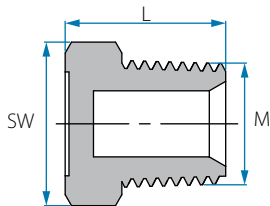
Cat. No.	M (BSPT)	M1 (BSPT)	L mm	L1 mm	Color
12056904021	1/4"	1/8"	26.4	24.4	
12056906041	3/8"	1/4"	31.8	31.5	<input type="checkbox"/> White
12056908061	1/2"	3/8"	40.0	38.1	

Note: Packing 25 unit

### NPT Reducing Threaded Elbow

Cat. No.	M (NPT)	M1 (NPT)	L mm	L1 mm	Color
12066904021	1/4"	1/8"	28.4	24.0	<input type="checkbox"/> White

Note: Packing 25 unit



### BSPT Hex Threaded Plug

Cat. No.	M (BSPT)	L mm	SW	Color
12052102001	1/8"	13.5	12	
12052104001	1/4"	16.3	15	
12052106001	3/8"	16.0	18	<input type="checkbox"/> White
12052108001	1/2"	19.6	22	
12052112001	3/4"	22.0	27	
12052116001	1"	27.0	36	

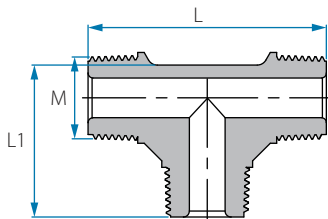
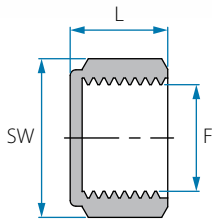
Note: Packing 25 unit

### NPT Hex Threaded Plug

Cat. No.	M (NPT)	L mm	SW	Color
12062102001	1/8"	14.7	11	
12062104001	1/4"	19.4	14	
12062106001	3/8"	20.4	17	<input type="checkbox"/> White
12062108001	1/2"	25.6	22	

Note: Packing 25 unit





## BSPT Pipe Cap

Cat. No.	F (BSPT)	L mm	SW	Color
12050802001	1/8"	10.4	13	
12050804001	1/4"	14.2	17	
12050806001	3/8"	14.2	20	<input type="checkbox"/> White
12050808001	1/2"	17.1	24	
12050812001	3/4"	17.1	30	

Note: Packing 25 unit

## BSPT Threaded T Connector

Cat. No.	M (BSPT)	L mm	L1 mm	Color
12056402001	1/8"	39.8	24.1	
12056404001	1/4"	44.0	26.2	
12056406001	3/8"	50.5	32.0	<input type="checkbox"/> White
12056408001	1/2"	64.0	40.3	

Note: Packing 25 unit

## NPT Threaded T Connector

Cat. No.	M (NPT)	L mm	L1 mm	Color
12066402001	1/8"	39.3	24.0	
12066404001	1/4"	48.4	28.5	<input type="checkbox"/> White

Note: Packing 25 unit

# Fittings Products

PVDF



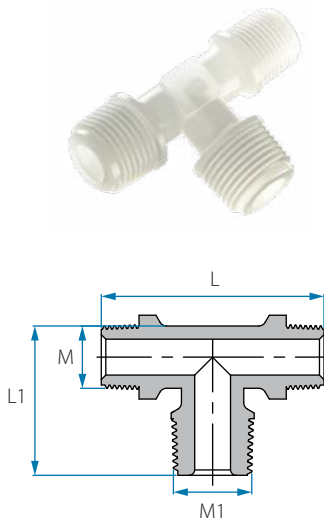
**Working pressure**  
Up to 14 BAR  
(200 psi) at 20 °C



**Temperature**  
-20 °C -120 °C  
(subject to application)



**Fittings' dimensions**  
refer to tube ID or OD, with respect  
to the common application



## BSPT Reducing Threaded T

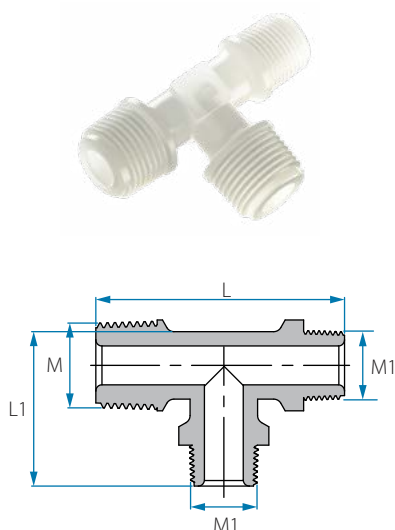
Cat. No.	M (BSPT)	M1 (BSPT)	L mm	L1 mm	Color
12057102041	1/8"	1/4"	39.7	26.4	☐ White
12057104021	1/4"	1/8"	43.3	24.2	
12057104061	1/4"	3/8"	38.2	43.3	
12057106041	3/8"	1/4"	60.2	26.4	
12057108061	1/2"	3/8"	64.2	38.2	
12057106081	3/8"	1/2"	60.2	40.4	

Note: Packing 25 unit

## NPT Reducing Threaded T

Cat. No.	M (NPT)	M1 (NPT)	L mm	L1 mm	Color
12067104021	1/4"	1/8"	48.4	24.0	☐ White

Note: Packing 25 unit



## BSPT Reducing Threaded Run T

Cat. No.	M (BSPT)	M1 (BSPT)	L mm	L1 mm	Color
12057204021	1/4"	1/8"	41.8	26.3	☐ White
12057206041	3/8"	1/4"	48.3	30.8	
12057208061	1/2"	3/8"	62.0	40.0	
12057202041	1/8"	1/4"	42.7	25.5	
12057204061	1/4"	3/8"	48.5	31.0	
12057206081	3/8"	1/2"	62.0	38.2	

Note: Packing 25 unit

## NPT Reducing Threaded Run T

Cat. No.	M (NPT)	M1 (NPT)	L mm	L1 mm	Color
12067204021	1/4"	1/8"	41.8	26.3	☐ White

Note: Packing 25 unit

# TIGHT PUSH

Tefen tight push fittings are mechanical compression fittings that can operate with plastic tubes in the range between  $\frac{3}{16}$ "- $\frac{1}{2}$ ", 4-120mm.

The fittings sealing mechanism is based on an external NBR oring that seals the tube around its Outside Diameter.

This type of mechanism, ensures a full bore passage, for low pressure, as well as smooth and uninterrupted internal flow of liquids and air.



P. 38



P. 36



P. 37



P. 37



P. 38



P. 39



P. 38



P. 39



P. 40



P. 40



P. 41

# Fittings Products

## Tight Push

Acetal



**Working pressure**  
Up to 14 BAR  
(200 psi) at 20 °C



**Temperature**  
-20 °C - 90 °C  
(subject to application)



### Union Connector

Cat. No.	Tube OD mm	SW	Color
22006244002	4	14	
22006246002	6	15	
22006248002	8	16	■ Black
22006250002	10	19	
22006252002	12	22	

Cat. No.	Tube OD inch	SW	Color
22006203002	3/16"	14	
22006204002	1/4"	15	
22006205002	5/16"	16	■ Black
22006206002	3/8"	19	
22006208002	1/2"	22	

Note: Packing 25 unit  
\* Minimum order 500 pcs



### Reducing Connector

Cat. No.	Tube OD mm	Tube OD2 mm	SW	Color
22005646442	6	4	15	
22005648442	8	4	17	
22005648462	8	6	17	
22005650462	10	6	19	■ Black
22005650482	10	8	19	
22005652482	12	8	22	
22005652502	12	10	22	

Cat. No.	Tube OD inch	Tube OD2 inch	SW	Color
22005604032	1/4"	3/16"	15	
22005605032	5/16"	3/16"	17	
22005605042	5/16"	1/4"	17	
22005606042	3/8"	1/4"	19	■ Black
22005606052	3/8"	5/16"	19	
22005608052	1/2"	5/16"	22	
22005608062	1/2"	3/8"	22	

Note: 25 Units per Package  
\* Minimum order 500 pcs



## Union Elbow

Cat. No.	Tube OD mm	Color
22006544002	4	
22006546002	6	
22006548002	8	■ Black
22006550002	10	
22006552002	12	

Cat. No.	Tube OD inch	Color
22006503002	3/16"	
22006504002	1/4"	
22006505002	5/16"	■ Black
22006506002	3/8"	
22006508002	1/2"	

Note: Packing 25 unit  
\* Minimum order 500 pcs



## Male Elbow

Cat. No.	Tube OD mm	M (BSPT)	Color
22006944022	4	1/8"	
22006944042	4	1/4"	
22006946022	6	1/8"	
22006946042	6	1/4"	
22006948022	8	1/8"	
22006948042	8	1/4"	■ Black
22006950042	10	1/4"	
22006950062	10	3/8"	
22006952062	12	3/8"	
22006952082	12	1/2"	

Cat. No.	Tube OD inch	M (BSPT)	Color
22006903022	3/16"	1/8"	
22006903042	3/16"	1/4"	
22006904022	1/4"	1/8"	
22006904042	1/4"	1/4"	
22006905022	5/16"	1/8"	
22006905042	5/16"	1/4"	■ Black
22006906042	3/8"	1/4"	
22006906062	3/8"	3/8"	
22006908062	1/2"	3/8"	
22006908082	1/2"	1/2"	

Note: Packing 25 unit  
\* Minimum order 500 pcs

# Fittings Products

## Tight Push

Acetal



**Working pressure**  
Up to 14 BAR  
(200 psi) at 20 °C



**Temperature**  
-20 °C - 90 °C  
(subject to application)



### BSPT Male Connector

Cat. No.	Tube OD mm	M (BSPT)	SW	Color
22006844022	4	1/8"	14	
22006844042	4	1/4"	14	
22006846022	6	1/8"	15	
22006846042	6	1/4"	15	
22006848022	8	1/8"	16	■ Black
22006848042	8	1/4"	16	
22006850042	10	1/4"	19	
22006850062	10	3/8"	19	
22006852062	12	3/8"	22	
22006852082	12	1/2"	22	

Cat. No.	Tube OD inch	M (BSPT)	SW	Color
22006803022	3/16"	1/8"	14	
22006803042	3/16"	1/4"	14	
22006804022	1/4"	1/8"	15	
22006804042	1/4"	1/4"	15	
22006805022	5/16"	1/8"	16	■ Black
22006805042	5/16"	1/4"	16	
22006806042	3/8"	1/4"	19	
22006806062	3/8"	3/8"	19	
22006808062	1/2"	3/8"	22	
22006808082	1/2"	1/2"	22	

Note: Packing 25 unit  
\* Minimum order 500 pcs

## BSPT Female Connector



Cat. No.	Tube OD mm	F (BSPT)	SW	Color
22006644022	4	1/8"	15	
22006644042	4	1/4"	17.5	
22006646022	6	1/8"	15	
22006646042	6	1/4"	17	
22006648022	8	1/8"	17	
22006648042	8	1/4"	17	
22006648062	8	3/8"	17	■ Black
22006648082	8	1/2"	17	
22006650022	10	1/8"	19	
22006650042	10	1/4"	19	
22006650062	10	3/8"	19.5	
22006650082	10	1/2"	19.5	
22006652062	12	3/8"	22.5	
22006652082	12	1/2"	24	

Cat. No.	Tube OD inch	F (BSPT)	SW	Color
22006603022	3/16"	1/8"	15	
22006603042	3/16"	1/4"	17.5	
22006604022	1/4"	1/8"	15.5	
22006604042	1/4"	1/4"	17.5	
22006605022	5/16"	1/8"	17	
22006605042	5/16"	1/4"	17	
22006605062	5/16"	3/8"	17	■ Black
22006605082	5/16"	1/2"	17	
22006606022	3/8"	1/8"	19	
22006606042	3/8"	1/4"	19	
22006606062	3/8"	3/8"	19	
22006606082	3/8"	1/2"	19	
22006608062	1/2"	3/8"	22	
22006608082	1/2"	1/2"	26	

Note: Packing 25 unit  
 \* Minimum order 500 pcs

# Fittings Products

## Tight Push

Acetal



**Working pressure**  
Up to 14 BAR  
(200 psi) at 20 °C



**Temperature**  
-20 °C - 90 °C  
(subject to application)



### Union T Connector

Cat. No.	Tube OD mm	Color
22006444442	4	
22006446462	6	
22006448482	8	■ Black
22006450502	10	
22006452522	12	

Cat. No.	Tube OD inch	Color
22006403032	3/16"	
22006404042	1/4"	
22006405052	5/16"	■ Black
22006406062	3/8"	
22006408082	1/2"	

Note: Packing 25 unit  
\* Minimum order 500 pcs



### Male Branch T

Cat. No.	Tube OD mm	M (BSPT)	Color
22007144022	4	1/8"	
22007144042	4	1/4"	
22007146022	6	1/8"	
22007146042	6	1/4"	
22007148022	8	1/8"	■ Black
22007148042	8	1/4"	
22007150042	10	1/4"	
22007150062	10	3/8"	
22007152062	12	3/8"	
22007152082	12	1/2"	

Cat. No.	Tube O inch D	M (BSPT)	Color
22007103022	3/16"	1/8"	
22007103042	3/16"	1/4"	
22007104022	1/4"	1/8"	
22007104042	1/4"	1/4"	
22007105022	5/16"	1/8"	■ Black
22007105042	5/16"	1/4"	
22007106042	3/8"	1/4"	
22007106062	3/8"	3/8"	
22007108062	1/2"	3/8"	
22007108082	1/2"	1/2"	

Note: Packing 25 unit  
\* Minimum order 500 pcs





## Male Run T

Cat. No.	Tube OD mm	M (BSPT)	Color
22007244022	4	1/8"	■ Black
22007244042	4	1/4"	
22007246022	6	1/8"	
22007246042	6	1/4"	
22007248022	8	1/8"	
22007248042	8	1/4"	
22007250042	10	1/4"	
22007250062	10	3/8"	
22007252062	12	3/8"	
22007252082	12	1/2"	

Cat. No.	Tube OD inch	M (BSPT)	Color
22007203022	3/16"	1/8"	■ Black
22007203042	3/16"	1/4"	
22007204022	1/4"	1/8"	
22007204042	1/4"	1/4"	
22007205022	5/16"	1/8"	
22007205042	5/16"	1/4"	
22007206042	3/8"	1/4"	
22007206062	3/8"	3/8"	
22007208062	1/2"	3/8"	
22007208082	1/2"	1/2"	

Note: Packing 25 unit  
 \* Minimum order 500 pcs

# BARB BLOCK

Tefen barb Block fittings are mechanical PUSH-ON compression fittings that can operate with numerous types of plastic tubes in the range between ¼"-½", 6-12mm. The fittings sealing mechanism is based on a barb and tightening nut.

How to use: Insert the nut onto the tube, insert the tube onto the barb and then secure the nut tightly on the barb support thread.

Main use: connection of plastic tubes of hydraulic and pneumatic systems.

Main Advantages: high chemical resistant, durable resistant for tube pullout, no rubber seals - long service life without leaks.



**Food Contact  
(EU) 1935/2004**  
For blue  
Polypropylene only



For blue & black  
Polypropylene only



P. 43



P. 43



P. 44



P. 45



P. 46



P. 47



P. 47



P. 47



P. 48



P. 49



P. 49



P. 50



P. 50



P. 51



P. 51



P. 52

## Reinforced Polypropylene



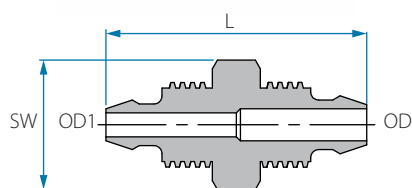
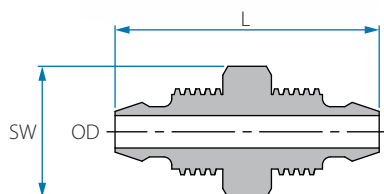
**Working pressure**  
Up to 14 BAR  
(200 psi) at 20 °C



**Temperature**  
4 °C - 90 °C  
(subject to application)



**Fittings' dimensions**  
refer to tube ID or OD,  
with respect to the  
common application



## Union Connector

Cat. No.	Tube OD mm	L mm	SW	Color
22046246008	6	32.7	14	Blue
22046248008	8	32.7	14	
22046252008	12	40.6	19	

Cat. No.	Tube OD inch	L mm	SW	Color
22046204008	1/4"	32.7	14	Navy Blue
22046205008	5/16"	32.7	14	
22046208008	1/2"	40.6	19	

Cat. No.	Tube OD inch	L mm	SW	Color
22246204003	1/4"	32.5	14	Grey
22246205003	5/16"	32.6	14	
22246208003	1/2"	40.4	19	

Note: Packing 25 unit

## Reducing Connector

Cat. No.	Tube OD mm	Tube OD1 mm	L mm	SW	Color
22045648468	8	6	32.7	14	Blue

Cat. No.	Tube OD inch	Tube OD1 inch	L mm	SW	Color
22045605048	5/16"	1/4"	32.7	14	Navy Blue
22245605043	5/16"	1/4"	32.7	14	Grey

Note: Packing 25 unit

# Fittings Products

## Barb Block

Reinforced Polypropylene



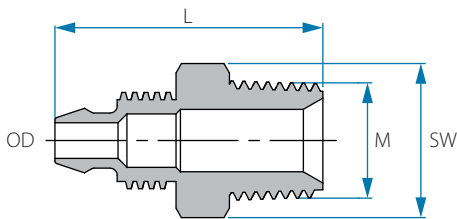
Working pressure  
Up to 14 BAR  
(200 psi) at 20 °C



Temperature  
4 °C -90 °C  
(subject to application)



Fittings' dimensions refer to tube ID or OD, with respect to the common application



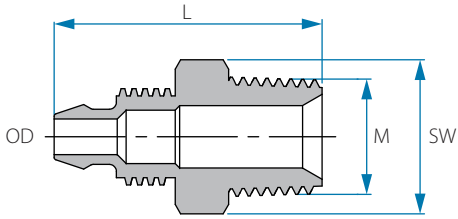
### BSPT Male Connector

Cat. No.	Tube OD mm	M (BSPT)	L mm	SW	Color
22046846028	6	1/8"	27.5	13	Blue
22046846048	6	1/4"	29.7	14	
22046846068	6	3/8"	32.5	17	
22046846088	6	1/2"	35.5	22	
22046846128	6	3/4"	36.6	27	
22046848028	8	1/8"	27.6	13	
22046848048	8	1/4"	29.5	14	
22046848068	8	3/8"	31.4	17	
22046848088	8	1/2"	36.1	22	
22046848128	8	3/4"	36.6	27	
22046850048	10	1/4"	35.8	17	
22046850068	10	3/8"	35.8	17	
22046850088	10	1/2"	38.9	22	
22046850128	10	3/4"	39.7	27	
22046852048	12	1/4"	37.3	14	
22046852068	12	3/8"	37.3	17	
22046852088	12	1/2"	40.1	22	
22046852128	12	3/4"	40.1	27	
22046848022	8	1/8"	27.6	13	Black
22046852082	12	1/2"	40.1	22	
22046846042	6	1/4"	29.7	14	
22046848042	8	1/4"	29.5	14	
22046848062	8	3/8"	31.4	17	
22046852042	12	1/4"	37.3	14	
22046852062	12	3/8"	37.3	17	

Cat. No.	Tube OD inch	M (BSPT)	L mm	SW	Color
22046804028	1/4"	1/8"	27.5	13	Navy Blue
22046804048	1/4"	1/4"	29.7	15	
22046804068	1/4"	3/8"	32.5	17	
22046804088	1/4"	1/2"	35.5	22	
22046804128	1/4"	3/4"	36.6	27	
22046805028	5/16"	1/8"	27.6	13	
22046805048	5/16"	1/4"	29.5	14	
22046805068	5/16"	3/8"	31.4	17	
22046806048	3/8"	1/4"	35.8	17	
22046806068	3/8"	3/8"	35.8	17	
22046806088	3/8"	1/2"	38.9	22	
22046806128	3/8"	3/4"	39.7	27	
22046808048	1/2"	1/4"	37.3	17	
22046808068	1/2"	3/8"	37.3	17	
22046808088	1/2"	1/2"	40.1	22	
22046808128	1/2"	3/4"	40.1	27	
22046804041	1/4"	1/4"	29.7	15	White
22046804081	1/4"	1/2"	35.5	22	
22046804121	1/4"	3/4"	36.6	27	

Note: Packing 25 unit

## NPT Male Connector



Cat. No.	Tube OD inch	M (NPT)	L mm	SW	Color
22246804023	1/4"	1/8"	29.4	11	Grey
22246804043	1/4"	1/4"	34.0	14	
22246804063	1/4"	3/8"	35.1	17	
22246804083	1/4"	1/2"	40.2	22	
22246804123	1/4"	3/4"	41.0	27	
22246805023	5/16"	1/8"	29.4	11	
22246805043	5/16"	1/4"	34.0	14	
22246805063	5/16"	3/8"	35.1	17	
22246805083	5/16"	1/2"	40.2	22	
22246805123	5/16"	3/4"	41.1	27	
22246806043	3/8"	1/4"	37.6	14	
22246806063	3/8"	3/8"	38.6	17	
22246806083	3/8"	1/2"	43.7	22	
22246806123	3/8"	3/4"	44.4	27	
22246808043	1/2"	1/4"	38.8	14	
22246808063	1/2"	3/8"	40.0	17	
22246808083	1/2"	1/2"	45.0	22	
22246808123	1/2"	3/4"	45.7	27	

Note: Packing 25 unit

# Fittings Products

## Barb Block

Reinforced Polypropylene



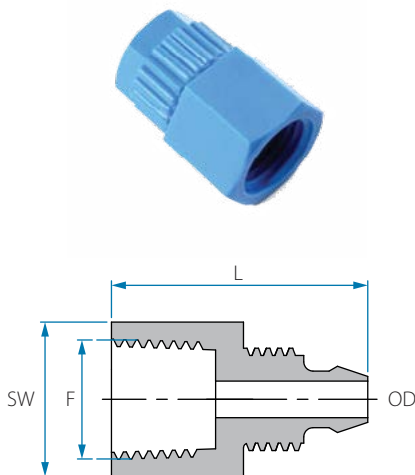
Working pressure  
Up to 14 BAR  
(200 psi) at 20 °C



Temperature  
4 °C -90 °C  
(subject to application)



Fittings' dimensions refer to tube ID or OD, with respect to the common application



### BSPT Female Connector

Cat. No.	Tube OD mm	F (BSPT)	L mm	SW	Color
22046646028	6	1/8"	26.3	14	Blue
22046646048	6	1/4"	27.8	17	
22046648028	8	1/8"	26.3	14	
22046648048	8	1/4"	28.0	17	
22046648068	8	3/8"	30.6	22	
22046648088	8	1/2"	32.5	26	
22046648548	8	M14X1.5	28.1	17	
22046650048	10	1/4"	31.7	17	
22046650068	10	3/8"	33.0	22	
22046650088	10	1/2"	35.4	26	

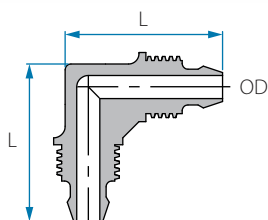
Cat. No.	Tube OD inch	F (BSPT)	L mm	SW	Color
22046604028	1/4"	1/8"	26.3	14	Navy Blue
22046604048	1/4"	1/4"	27.8	17	
22046605028	5/16"	1/8"	26.3	14	
22046605048	5/16"	1/4"	28.0	17	
22046605068	5/16"	3/8"	30.6	22	
22046605088	5/16"	1/2"	32.5	26	
22046606048	3/8"	1/4"	31.7	17	
22046606068	3/8"	3/8"	33.0	22	
22046606088	3/8"	1/2"	35.4	26	

Note: Packing 25 unit

### NPT Female Connector

Cat. No.	Tube OD inch	F (NPT)	L mm	SW	Color
22246604023	1/4"	1/8"	26.3	14	Grey
22246605023	5/16"	1/8"	26.3	14	
22246605043	5/16"	1/4"	32.1	17	
22246606043	3/8"	1/4"	34.5	17	
22246606063	3/8"	3/8"	34.5	22	
22246606083	3/8"	1/2"	38.0	27	

Note: Packing 25 unit



## Union Elbow

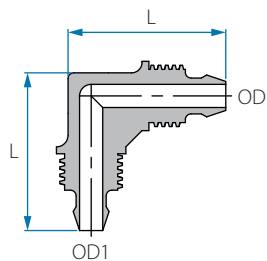
Cat. No.	Tube OD mm	L mm	Color
22046546008	6	27.4	
22046548008	8	27.4	Blue
22046552008	12	40.5	
22046548002	8	27.4	Black

Cat. No.	Tube OD inch	L mm	Color
22046504008	1/4"	27.4	
22046505008	5/16"	27.4	Navy Blue
22046508008	1/2"	40.5	
22046508002	1/2"	40.5	Black

Note: Packing 25 unit

Cat. No.	Tube OD inch	L mm	Color
22246504003	1/4"	27.5	
22246505003	5/16"	27.5	Grey
22246508003	1/2"	40.5	

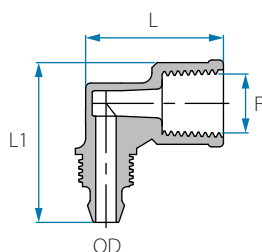
Note: Packing 25 unit



## Reducing Elbow

Cat. No.	Tube OD mm	Tube OD1 mm	L mm	Color
22045748468	8	6	27.3	Blue

Note: Packing 25 unit



## BSPT Female Elbow

Cat. No.	Tube OD mm	F (BSPT)	L mm	L1 mm	Color
22046046028	6	1/8"	25.1	27.3	
22046046048	6	1/4"	27.0	27.3	Blue
22046048048	8	1/4"	27.0	27.3	
22046046022	6	1/8"	25.1	27.3	
22046046042	6	1/4"	27.0	27.3	Black
22046048042	8	1/4"	27.0	27.3	

Note: Packing 25 unit

# Fittings Products

## Barb Block

Reinforced Polypropylene



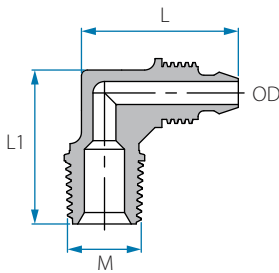
**Working pressure**  
Up to 14 BAR  
(200 psi) at 20 °C



**Temperature**  
4 °C -90 °C  
(subject to application)



**Fittings' dimensions**  
refer to tube ID or OD,  
with respect to the  
common application



### BSPT Male Elbow

Cat. No.	Tube OD mm	M (BSPT)	L mm	L1 mm	Color	
22046946028	6	1/8"	27.6	22.4	Blue	
22046946048	6	1/4"	27.6	26.8		
22046948028	8	1/8"	27.6	26.8		
22046948048	8	1/4"	27.6	26.8		
22046948068	8	3/8"	28.1	29.4		
22046952048	12	1/4"	40.3	31.7		
22046952068	12	3/8"	40.3	32.0		
22046952088	12	1/2"	40.3	36.0		
22046946022	6	1/8"	27.6	22.4		Black
22046948022	8	1/8"	27.6	26.8		
22046946042	6	1/4"	27.6	26.8		
22046948042	8	1/4"	27.6	26.8		
22046948062	8	3/8"	28.1	29.4		
22046952062	12	3/8"	40.3	32		

Cat. No.	Tube OD inch	M (BSPT)	L mm	L1 mm	Color	
22046904028	1/4"	1/8"	27.6	22.4	Navy Blue	
22046904048	1/4"	1/4"	27.6	26.8		
22046905028	5/16"	1/8"	27.6	26.8		
22046905048	5/16"	1/4"	27.6	26.8		
22046905068	5/16"	3/8"	28.1	29.4		
22046908048	1/2"	1/4"	40.3	31.7		
22046908068	1/2"	3/8"	40.3	32.0		
22046908088	1/2"	1/2"	40.3	36.0		
22046908082	1/2"	1/2"	40.3	36.0		Black
22046904041	1/4"	1/4"	26.7	26.8		White

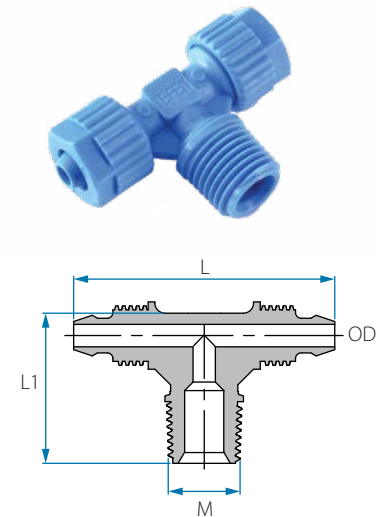
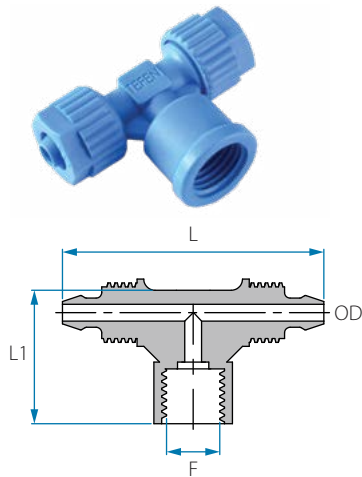
Note: Packing 25 unit

### NPT Male Elbow

Cat. No.	Tube OD inch	M (NPT)	L mm	L1 mm	Color
22246904023	1/4"	1/8"	27.5	24.0	Grey
22246904043	1/4"	1/4"	27.5	29.0	
22246905023	5/16"	1/8"	27.5	24.0	
22246905043	5/16"	1/4"	27.5	28.9	

Note: Packing 25 unit





## BSPT Female Branch T

Cat. No.	Tube OD mm	F (BSPT)	L mm	L1 mm	Color
22047346028	6	1/8"	46.6	25.0	Blue
22047348048	8	1/4"	46.8	27.2	

Cat. No.	Tube OD inch	F (BSPT)	L mm	L1 mm	Color
22047304028	1/4"	1/8"	46.6	25.0	Navy Blue
22047305048	5/16"	1/4"	46.8	27.2	

Note: Packing 25 unit

## BSPT Male Branch T

Cat. No.	Tube OD mm	M (BSPT)	L mm	L1 mm	Color
22047146028	6	1/8"	46.8	22.6	Blue
22047146048	6	1/4"	46.8	26.8	
22047148028	8	1/8"	46.8	22.6	
22047148048	8	1/4"	46.8	26.8	
22047148068	8	3/8"	47.2	29.4	
22047152048	12	1/4"	67.0	31.6	
22047152068	12	3/8"	67.0	32.0	
22047152088	12	1/2"	67.0	36.0	
22047146042	6	1/4"	46.8	26.8	Black
22047148022	8	1/8"	46.8	22.6	
22047148042	8	1/4"	46.8	26.8	

Cat. No.	Tube OD inch	M (BSPT)	L mm	L1 mm	Color
22047104028	1/4"	1/8"	46.8	22.6	Navy Blue
22047104048	1/4"	1/4"	46.8	26.8	
22047105028	5/16"	1/8"	46.8	22.6	
22047105048	5/16"	1/4"	46.8	26.8	
22047105068	5/16"	3/8"	47.2	29.4	
22047108048	1/2"	1/4"	67.0	31.6	
22047108068	1/2"	3/8"	67.0	32.0	
22047104041	1/4"	1/4"	46.8	26.8	

Note: Packing 25 unit

## NPT Male Branch T

Cat. No.	Tube OD inch	M (NPT)	L mm	L1 mm	Color
22247104023	1/4"	1/8"	47.7	24.1	Grey
22247104043	1/4"	1/4"	46.6	28.9	
22247105023	5/16"	1/8"	46.7	24.1	
22247108083	1/2"	1/2"	66.8	36.1	Black
22247105022	5/16"	1/8"	46.7	24.1	

Note: Packing 25 unit

# Fittings Products

## Barb Block

Reinforced Polypropylene



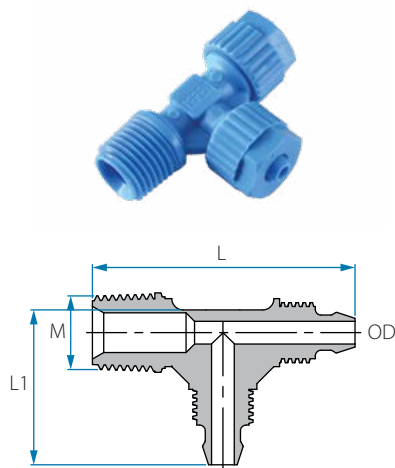
Working pressure  
Up to 14 BAR  
(200 psi) at 20 °C



Temperature  
4 °C -90 °C  
(subject to application)



Fittings' dimensions refer to tube ID or OD, with respect to the common application



### BSPT Male Run T

Cat. No.	Tube OD mm	M (BSPT)	L mm	L1 mm	Color
22047246028	6	1/8"	41.9	27.5	Blue
22047246048	6	1/4"	46.2	27.5	
22047248028	8	1/8"	41.9	27.5	
22047248048	8	1/4"	46.2	27.5	
22047248068	8	3/8"	58.8	43.2	
22047252048	12	1/4"	57.7	40.3	
22047252068	12	3/8"	59.0	40.5	
22047252088	12	1/2"	62.7	40.4	

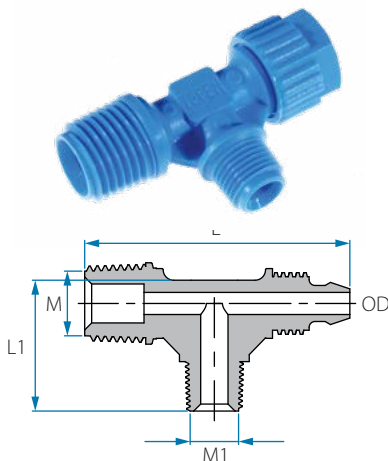
Cat. No.	Tube OD inch	M (BSPT)	L mm	L1 mm	Color
22047204028	1/4"	1/8"	41.9	27.5	Navy Blue
22047204048	1/4"	1/4"	46.2	27.5	
22047205028	5/16"	1/8"	41.9	27.5	
22047205048	5/16"	1/4"	46.2	27.5	
22047205068	5/16"	3/8"	58.8	43.2	
22047208048	1/2"	1/4"	57.7	40.3	
22047208068	1/2"	3/8"	59.0	40.5	
22047208088	1/2"	1/2"	62.7	40.4	
22047204041	1/4"	1/4"	46.2	27.5	White

Note: Packing 25 unit

### NPT Male Run T

Cat. No.	Tube OD inch	M (NPT)	L mm	L1 mm	Color
22247204023	1/4"	1/8"	43.4	27.4	Grey
22247204043	1/4"	1/4"	48.2	27.4	
22247205023	5/16"	1/8"	43.5	27.4	
22247205043	5/16"	1/4"	48.3	27.4	
22247205063	5/16"	3/8"	56.1	40.2	

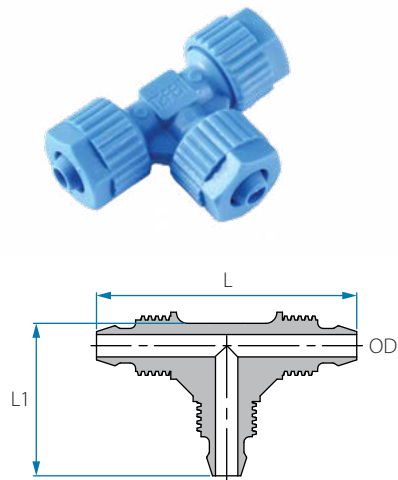
Note: Packing 25 unit



### BSPT Male T - 2 threads

Cat. No.	Tube OD mm	M inch	M1 inch	L mm	L1 mm	Color
22047802048	8	1/4"	1/8"	46.2	22.6	Blue

Note: Packing 25 unit

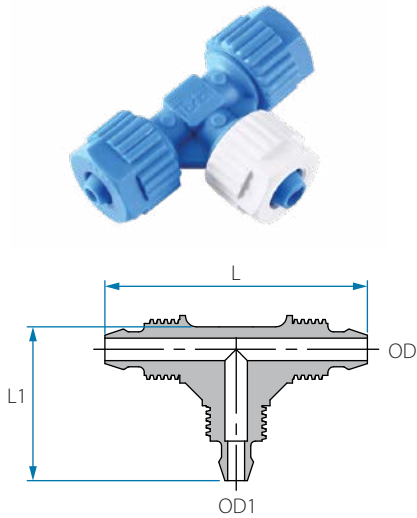


## Union T

Cat. No.	OD mm	L mm	L1 mm	Color
22046446468	6	46.8	27.5	
22046448488	8	46.8	27.5	Blue
22046452528	12	67.1	40.4	

Cat. No.	OD inch	L mm	L1 mm	Color
22046404041	1/4"	46.8	27.5	White
22046404048	1/4"	46.8	27.5	
22046405058	5/16"	46.8	27.5	Navy Blue
22046408088	1/2"	67.1	40.4	
22046404042	1/4"	46.8	27.5	Black
22046408082	1/2"	67.1	40.4	
22246404043	1/4"	46.7	27.4	
22246405053	5/16"	46.7	27.4	Grey
22246408083	1/2"	67.0	40.4	

Note: Packing 25 unit



## Reducing T

Cat. No.	Tube OD mm	Tube OD1 mm	L mm	L1 mm	Color
22045846488	6	8	46.8	27.4	Blue
22045848468	8	6	46.8	27.4	

Note: Packing 25 unit

# Fittings Products

## Barb Block

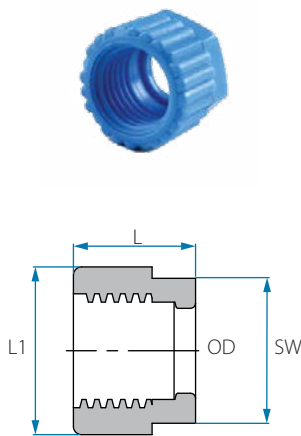
Reinforced Polypropylene



Working pressure  
Up to 14 BAR  
(200 psi) at 20 °C



Temperature  
4 °C - 90 °C  
(subject to application)



## Nut for Union Connector

Cat. No.	Tube OD mm	L mm	SW	Color
32046146001	6	11.9	16	White
32046146006	6	11.9	16	Red
32046146008	6	11.9	16	Blue
32046146009	6	11.9	16	Yellow
32046148001	8	11.9	16	White
32046148006	8	11.9	16	Red
32046148008	8	11.9	16	Blue
32046150002	10	14.2	16	Black
32046150008	10	14.2	19	Blue
32046152002	12	17.5	22	Black

Cat. No.	Tube OD inch	L mm	SW	Color
32046104001	1/4"	11.9	16	White
32046104002	1/4"	11.9	16	Black
32046104008	1/4"	11.9	16	Navy Blue
32046104009	1/4"	11.9	16	Yellow
32046105008	5/16"	11.9	16	Navy Blue
32046105009	5/16"	11.9	16	Yellow
32046106008	3/8"	14.2	19	Navy Blue
32046106009	3/8"	14.2	19	Yellow
32046108001	1/2"	17.5	22	White
32046108002	1/2"	17.5	22	Black
32046108008	1/2"	17.5	22	Navy Blue
32046108009	1/2"	17.5	22	Yellow

Note: Use nuts with Tefen's barb fittings only

# BARB CONNECTORS

Tefen barb connectors designed to operate with all PE tubes class 2.5-4 PN, at the range.

Can work with other flexible plastic and rubber pipes.

The Fittings and sealing mechanism are based on a barb that holds the tube from the inside diameter.

Fittings size indicate the nominal outside diameter of the tube.

For example:  $\frac{5}{8}$ " barb fitting, fits a  $\frac{5}{8}$ " irrigation tube class 2.5, with inner diameter of  $\frac{1}{2}$ ".



For black Polypropylene only



P. 54



P. 54



P. 55



P. 55



P. 56



P. 56



P. 57



P. 57



P. 58



P. 58



P. 59



P. 59

# Fittings Products

## Barb Connectors

Polypropylene



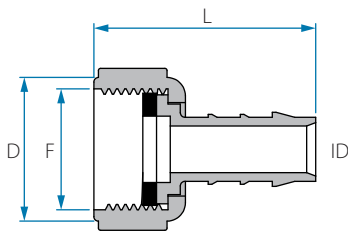
**Working pressure**  
Up to 14 BAR  
(200 psi) at 20 °C



**Temperature**  
4 °C -90 °C  
(subject to application)



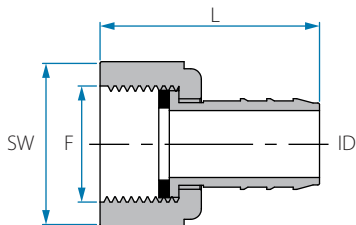
**Fittings' dimensions**  
refer to tube ID or OD,  
with respect to the  
common application



### Female Swivel Hose Connector with Washer

Cat. No.	Tube ID mm	F (BSP)	L mm	D mm	Color
22454746122	6	3/4"	37.9	33.5	■ Black
22454748122	8	3/4"	41.8	33.5	
22454748162	8	1"	40.8	39.7	
22454750122	10	3/4"	44.2	33.5	
22454752122	12	3/4"	45	33.5	
22454752162	12	1"	43.8	39.7	
22454754122	14	3/4"	46.3	33.5	
22454754162	14	1"	45.2	39.7	
22454756122	16	3/4"	46.7	33.5	
22454756162	16	1"	45.6	39.7	
22454759122	19	3/4"	47.5	33.5	
22454759162	19	1"	46.3	39.7	

Note: Use flat seal with this fitting

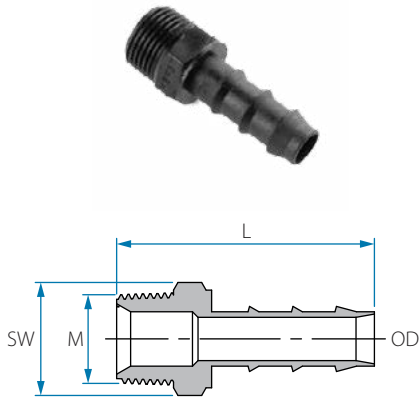


### Female Swivel Hose Connector with Washer

Cat. No.	Tube ID mm	F (BSP)	L	SW	Color
22454750062	10	3/8"	32.8	17	■ Black
22454752082	12	1/2"	33.7	22	

Note: Use flat seal with this fitting

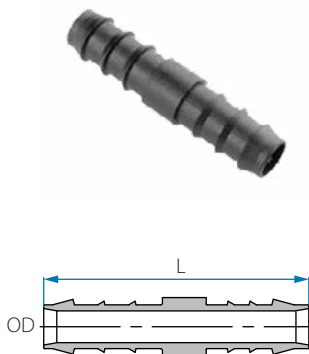
## Male Straight Hose Connector



Cat. No.	Tube OD mm	M (BSPT)	L mm	SW	Color
12456812022	12	1/8"	44.0	11	
12456812042	12	1/4"	47.7	14	
12456812062	12	3/8"	47.3	17	
12456812082	12	1/2"	50.8	22	
12456812122	12	3/4"	51.4	27	
12456816042	16	1/4"	47.6	14	
12456816082	16	1/2"	51.3	22	■ Black
12456816122	16	3/4"	52.0	27	
12456820082	20	1/2"	52.2	22	
12456820122	20	3/4"	54.0	27	
12456820162	20	1"	59.0	36	
12456825082	25	1/2"	53.3	22	
12456825122	25	3/4"	54.5	27	
12456825162	25	1"	59.0	36	
*12466817083	17	1/2"	45.2	22	■ Brown
*12466817123	17	3/4"	46.1	27	

Note: Packing 25 unit  
\* Sharp barb (material: Acetal)

## Union Hose Connector



Cat. No.	Tube OD mm	L mm	Color
12456212002	12	68.6	
12456216002	16	71.4	
12456220002	20	76.5	■ Black
12456225002	25	76.5	
*12466216002	16	49.0	
*12466216003	16	49.0	■ Brown
*12466217003	17	58.3	

Note: Packing 25 unit  
\* Short configuration

# Fittings Products

## Barb Connectors

Polypropylene



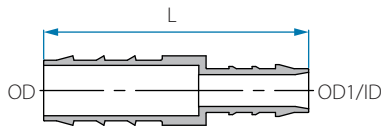
**Working pressure**  
Up to 14 BAR  
(200 psi) at 20 °C



**Temperature**  
4 °C -90 °C  
(subject to application)



**Fittings' dimensions**  
refer to tube ID or OD,  
with respect to the  
common application

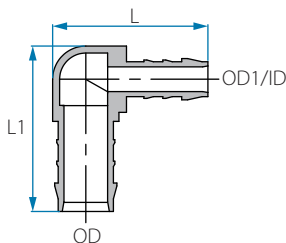


### Reducing Hose Connector

Cat. No.	Tube OD mm	Tube OD1 mm	L mm	Color
12455612162	16	12	71.5	
12455612202	20	12	74.2	
12455616202	20	16	74.2	
12455620252	25	20	76.8	■ Black
*12465612172	17	12	64.1	
*12465616172	17	16	66.0	
*12465617202	20	17	68.8	

Cat. No.	Tube OD mm	Tube ID mm	L mm	Color
12455648122	12	8	63.8	
12455652202	20	12	72.6	
12455656202	20	16	75.6	■ Black
12455659202	20	19	75.4	
12455659252	25	19	75.3	

Note: Packing 25 unit  
\* Sharp barb (material: Acetal)



### Reducing Elbow Hose Connector

Cat. No.	Tube OD mm	Tube OD1 mm	L mm	L1 mm	Color
12456612162	16	12	51.2	49.5	
12456612202	20	12	56.4	55.0	■ Black
12456616202	20	16	56.4	54.8	
12456620252	25	20	58.3	56.4	

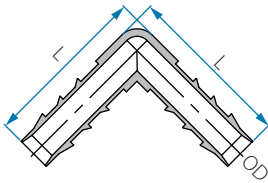
Note: Packing 25 unit

Cat. No.	Tube OD mm	Tube ID mm	L mm	L1 mm	Color
12456652202	20	12	56.2	52.2	
12456656202	20	16	56.6	55.5	■ Black
12456659202	20	19	55.2	56.4	
12456659252	25	19	58.4	57.4	

Note: Packing 25 unit

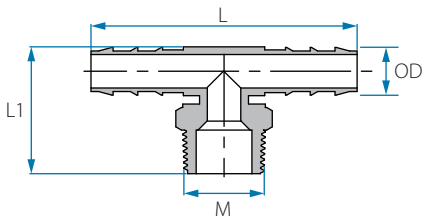


## Union Elbow Hose Connector



Cat. No.	Tube OD mm	L mm	Color
12456512002	12	48.2	■ Black
12456516002	16	49.6	
12456520002	20	56.8	
12456525002	25	58.8	
*12466516003	16	40.5	■ Brown
*12466517003	17	45.1	

Note: Packing 25 unit  
 \* Sharp barb (material: Acetal)



## Male Branch T Hose Connector

Cat. No.	Tube OD mm	M (BSPT)	L mm	L1 mm	Color	
12457112042	12	1/4"	84.7	34.1	■ Black	
12457112062	12	3/8"	84.9	34.3		
12457112082	12	1/2"	84.9	38.4		
12457112122	12	3/4"	84.8	38.9		
12457116062	16	3/8"	86.2	36.3		
12457116082	16	1/2"	86.2	40.0		
12457116122	16	3/4"	86.2	41.0		
12457120082	20	1/2"	93.7	45.5		
12457120122	20	3/4"	93.7	46.6		
12457125082	25	1/2"	93.7	47.6		
12457125122	25	3/4"	93.8	48.6		
*12467117083	17	1/2"	74.3	41.9		■ Brown
*12467117123	17	3/4"	74.3	43.0		

Note: Packing 25 unit  
 \* Sharp barb (material: Acetal)

# Fittings Products

## Barb Connectors

Polypropylene



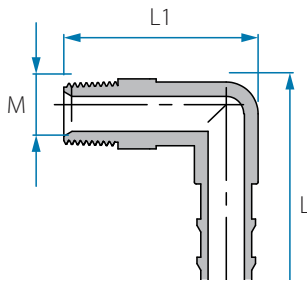
**Working pressure**  
Up to 14 BAR  
(200 psi) at 20 °C



**Temperature**  
4 °C -90 °C  
(subject to application)



**Fittings' dimensions**  
refer to tube ID or OD,  
with respect to the  
common application

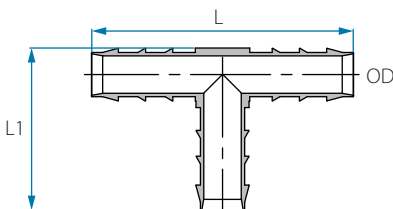


### BSPT Male Elbow Hose Connector

Cat. No.	Tube OD mm	M (BSPT)	L mm	L1 mm	Color
12456912042	12	1/4"	48.4	34.0	
12456912062	12	3/8"	48.4	34.7	
12456912082	12	1/2"	48.4	38.0	
12456912122	12	3/4"	48.5	39.4	
12456916062	16	3/8"	51.1	36.2	
12456916082	16	1/2"	51.6	39.5	Black
12456916122	16	3/4"	51.1	41.0	
12456920082	20	1/2"	56.3	45.0	
12456920122	20	3/4"	56.0	46.8	
12456925082	25	1/2"	58.3	47.2	
12456925122	25	3/4"	58.7	48.5	
*12466917083	17	1/2"	45.5	41.9	Brown
*12466917123	17	3/4"	45.7	43.1	

Note: Packing 25 unit

\* Sharp barb (material: Acetal)

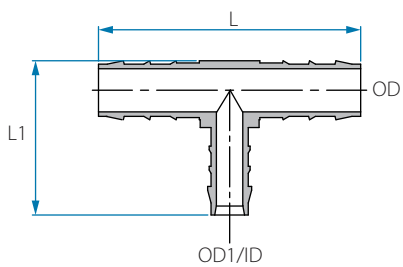


### Union T Hose Connector

Cat. No.	Tube OD mm	L mm	L1 mm	Color
12456412122	12	72.7	44.6	
12456416162	16	76.7	47.7	Black
12456420202	20	84.8	54.7	
12456425252	25	72.8	44.6	
*12466416163	16	76.7	47.7	Brown
*12466417173	17	84.7	54.9	

Note: Packing 25 unit

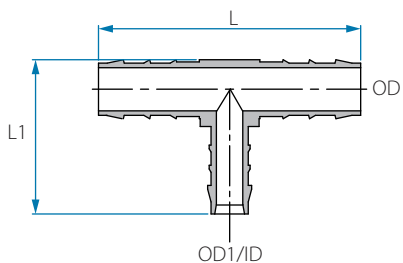
\* Sharp barb (material: Acetal)



## Reducing T Hose Connector

Cat. No.	Tube OD1 mm	Tube OD mm	L mm	L1 mm	Color
12457212162	12	16	76.7	48.2	■ Black
12457216202	16	20	84.6	52.3	
12457220252	20	25	88.7	58.6	

Note: Packing 25 unit



## Reducing T Hose Connector

Cat. No.	Tube OD mm	Tube ID mm	L mm	L1 mm	Color
12457246162	16	6	76.8	40.6	■ Black
12457252202	20	12	84.7	55.2	
12457256202	20	16	84.9	53.0	
12457259202	20	19	84.7	53.0	

Note: Packing 25 unit

# HOSE FITTINGS

Tefen hose fittings are the perfect choice to connect all types of flexible rubber and plastic tubes in domestic, industrial and all other general applications.

Main advantages:

- Strong and durable, high impact resistant, all sizes are true outside diameter of the fittings, and will match Nylon 6-6 inside diameter of the tube. In order to secure tube on the fitting barb, it is recommended to use Tefen's snap clip or similar metal or plastic clip.
- How to use: push the tube onto the barb all the way to the stopper.
- Secure the tube tightly with a proper size snap clip.



**Food Contact**  
FDA 21 CFR  
For blue Nylon  
6-6 only



**Food Contact**  
(EU) 1935/2004  
For blue Nylon  
6-6 only



For blue, gray & black  
Nylon 6-6 only



P. 61



P. 62



P. 63



P. 64



P. 65



P. 66



P. 67



P. 68



P. 68



P. 69



P. 69



P. 70



P. 70



P. 71



P. 73



P. 74



P. 75

# Nylon 6-6



**Working pressure**  
Up to 14 BAR  
(200 psi) at 20 °C

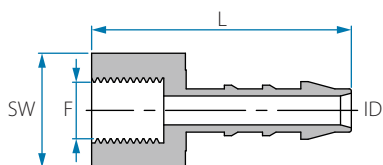


**Temperature**  
-20 °C -110 °C  
(subject to application)



**Fittings' dimensions**  
refer to tube ID or OD,  
with respect to the  
common application

## BSPT Female Connector



Cat. No.	Tube ID mm	F (BSPT)	L mm	SW	Color
12446745028	5	1/8"	34.4	14	
12446745048	5	1/4"	35.2	17	
12446745068	5	3/8"	36.5	22	
12446745088	5	1/2"	38.7	26	
12446746028	6	1/8"	36.3	14	
12446746048	6	1/4"	37.2	17	
12446746068	6	3/8"	38.3	22	
12446746088	6	1/2"	40.8	26	
12446748028	8	1/8"	39.4	14	
12446748048	8	1/4"	39.4	17	
12446748068	8	3/8"	40.4	22	
12446748088	8	1/2"	42.7	26	
12446750048	10	1/4"	41.5	17	
12446750068	10	3/8"	42.3	22	
12446750088	10	1/2"	45.0	26	
12446752048	12	1/4"	42.4	17	
12446752068	12	3/8"	43.3	22	
12446752088	12	1/2"	46.0	26	
12446754068	14	3/8"	45.0	22	
12446754088	14	1/2"	47.3	26	
12446756088	16	1/2"	48.1	26	
12446759088	19	1/2"	48.8	26	
12446748041	8	1/4"	39.4	17	White

Blue

White

Note: Packing 25 unit

# Fittings Products

## Hose Fittings

Nylon 6-6



**Working pressure**  
Up to 14 BAR  
(200 psi) at 20 °C

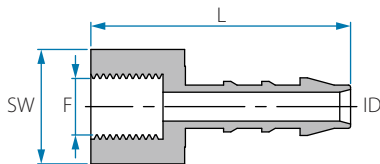


**Temperature**  
-20 °C -110 °C  
(subject to application)



**Fittings' dimensions**  
refer to tube ID or OD,  
with respect to the  
common application

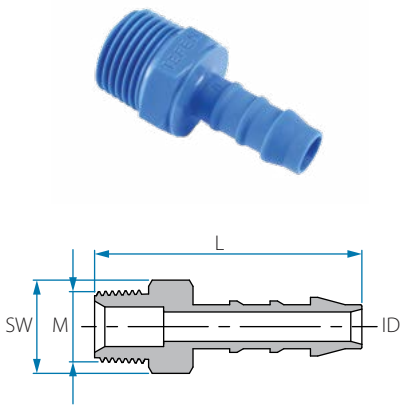
### NPT Female Connector



Cat. No.	Tube ID inch	F (NPT)	L mm	SW	Color
12256704023	1/4"	1/8"	36.7	14	
12256704043	1/4"	1/4"	40.1	17	
12256704063	1/4"	3/8"	40.0	22	
12256704083	1/4"	1/2"	43.7	27	
12256705023	5/16"	1/8"	38.9	14	
12256705043	5/16"	1/4"	41.8	17	
12256705063	5/16"	3/8"	42.0	22	
12256705083	5/16"	1/2"	45.0	27	
12256706043	3/8"	1/4"	44.1	17	
12256706063	3/8"	3/8"	43.9	22	Grey
12256706083	3/8"	1/2"	47.2	27	
12256708043	1/2"	1/4"	44.7	17	
12256708063	1/2"	3/8"	45.2	22	
12256708083	1/2"	1/2"	48.8	27	
12256709063	9/16"	3/8"	46.5	22	
12256709083	9/16"	1/2"	50.3	27	
12256710083	5/8"	1/2"	50.4	27	
12256712083	3/4"	1/2"	51.7	27	

Note: Packing 25 unit

## BSPT Male Hose Connector



Cat. No.	Tube ID mm	M (BSPT)	L mm	SW	Color
12446844028	4	1/8"	31.2	11	
12446844048	4	1/4"	33.8	14	
12446845028	5	1/8"	34.7	11	
12446845048	5	1/4"	38.3	14	
12446845088	5	1/2"	41.4	22	
12446846028	6	1/8"	35.3	11	
12446846048	6	1/4"	39.2	14	
12446846068	6	3/8"	39.1	17	
12446846088	6	1/2"	42.3	22	
12446846128	6	3/4"	43.0	22	
12446848028	8	1/8"	39.8	11	
12446848048	8	1/4"	43.0	14	
12446848068	8	3/8"	43.0	17	
12446848088	8	1/2"	46.1	22	
12446848128	8	3/4"	47.1	27	
12446850048	10	1/4"	45.2	14	
12446850068	10	3/8"	45.2	17	Blue
12446850088	10	1/2"	48.3	22	
12446850128	10	3/4"	49.3	27	
12446852048	12	1/4"	46.0	14	
12446852068	12	3/8"	46.0	17	
12446852088	12	1/2"	49.3	22	
12446852128	12	3/4"	50.0	27	
12446854068	14	3/8"	47.5	17	
12446854088	14	1/2"	50.8	22	
12446854128	14	3/4"	51.7	27	
12446856088	16	1/2"	51.3	22	
12446856128	16	3/4"	52.2	27	
12446859088	19	1/2"	52.2	22	
12446859128	19	3/4"	53.3	27	
12446859168	19	1"	60.1	36	
12446865128	25	3/4"	54.8	27	
12446865168	25	1"	66.6	36	

Note: Packing 25 unit

# Fittings Products

## Hose Fittings

Nylon 6-6



**Working pressure**  
Up to 14 BAR  
(200 psi) at 20 °C

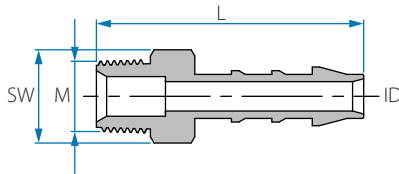


**Temperature**  
-20 °C -110 °C  
(subject to application)



**Fittings' dimensions**  
refer to tube ID or OD,  
with respect to the  
common application

### NPT Male Hose Connector

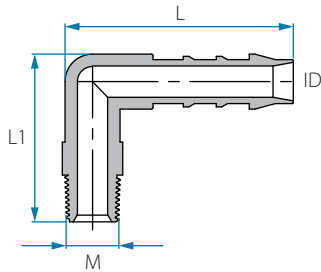


Cat. No.	Tube ID inch	M (NPT)	L mm	SW	Color
12256802023	5/32"	1/8"	30.7	11	
12256802043	5/32"	1/4"	35.3	14	
12256803023	3/16"	1/8"	36.3	11	
12256803043	3/16"	1/4"	39.7	14	
12256804023	1/4"	1/8"	36.1	11	
12256804043	1/4"	1/4"	40.6	14	
12256804063	1/4"	3/8"	41.9	17	
12256804083	1/4"	1/2"	46.7	22	
12256805023	5/16"	1/8"	40.2	11	
12256805043	5/16"	1/4"	44.7	14	
12256805063	5/16"	3/8"	45.9	17	
12256805083	5/16"	1/2"	51.0	22	
12256806043	3/8"	1/4"	46.5	14	
12256806063	3/8"	3/8"	47.7	17	Grey
12256806083	3/8"	1/2"	53.2	22	
12256806123	3/8"	3/4"	54.3	27	
12256808043	1/2"	1/4"	47.7	14	
12256808063	1/2"	3/8"	48.9	17	
12256808083	1/2"	1/2"	53.7	22	
12256808123	1/2"	3/4"	54.7	27	
12256809063	9/16"	3/8"	51.0	17	
12256809083	9/16"	1/2"	55.4	22	
12256809123	9/16"	3/4"	56.1	27	
12256810083	5/8"	1/2"	56.3	22	
12256810123	5/8"	3/4"	56.8	27	
12256812083	3/4"	1/2"	56.9	22	
12256812123	3/4"	3/4"	57.7	27	

Note: Packing 25 unit



## BSPT Male Elbow Hose Connector



Cat. No.	Tube ID mm	M (BSPT)	L mm	L1 mm	Color
12446944028	4	1/8"	26.7	24.1	
12446944048	4	1/4"	26.7	27.2	
12446945028	5	1/8"	31.8	26.8	
12446945048	5	1/4"	32.0	29.8	
12446945088	5	1/2"	31.8	33.0	
12446946028	6	1/8"	35.5	27.3	
12446946048	6	1/4"	35.5	29.8	
12446946068	6	3/8"	35.5	30.0	
12446946088	6	1/2"	35.5	33.7	
12446948028	8	1/8"	41.5	30.4	
12446948048	8	1/4"	41.5	32.8	
12446948068	8	3/8"	41.5	32.8	
12446948088	8	1/2"	41.5	36.8	
12446950048	10	1/4"	45.5	33.9	
12446950068	10	3/8"	45.5	34.1	
12446950088	10	1/2"	45.5	37.8	
12446950128	10	3/4"	45.5	38.9	
12446952048	12	1/4"	48.7	35.0	
12446952068	12	3/8"	48.7	35.3	
12446952088	12	1/2"	48.7	39.0	
12446952128	12	3/4"	48.7	39.7	
12446954068	14	3/8"	51.4	38.5	
12446954088	14	1/2"	51.4	42.3	
12446954128	14	3/4"	51.4	43.3	
12446956088	16	1/2"	53.7	44.9	
12446956128	16	3/4"	53.7	46.0	
12446959088	19	1/2"	56.0	46.4	
12446959128	19	3/4"	56.4	47.5	

Blue

Note: Packing 25 unit

# Fittings Products

## Hose Fittings

Nylon 6-6



**Working pressure**  
Up to 14 BAR  
(200 psi) at 20 °C

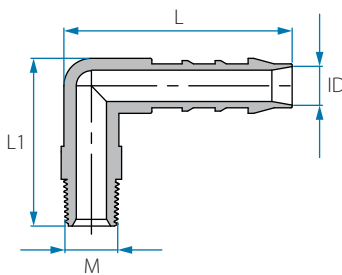


**Temperature**  
-20 °C -110 °C  
(subject to application)



**Fittings' dimensions**  
refer to tube ID or OD,  
with respect to the  
common application

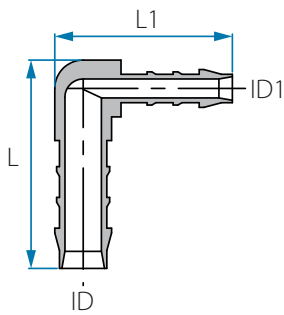
### NPT Male Elbow Hose Connector



Cat. No.	Tube ID inch	M (NPT)	L mm	L1 mm	Color
12256902023	5/32"	1/8"	25.7	26.0	
12256902043	5/32"	1/4"	25.9	31.1	
12256903023	3/16"	1/8"	31.8	28.6	
12256903043	3/16"	1/4"	33.4	31.8	
12256903083	3/16"	1/2"	41.8	31.8	
12256904023	1/4"	1/8"	35.4	29.0	
12256904043	1/4"	1/4"	35.5	33.7	
12256904063	1/4"	3/8"	35.5	33.8	
12256904083	1/4"	1/2"	42.2	35.5	
12256905023	5/16"	1/8"	41.5	32.1	
12256905043	5/16"	1/4"	41.2	36.7	
12256905063	5/16"	3/8"	41.5	36.6	
12256905083	5/16"	1/2"	41.5	43.1	
12256906043	3/8"	1/4"	45.4	37.7	
12256906063	3/8"	3/8"	45.3	37.5	
12256906083	3/8"	1/2"	45.4	44.4	
12256906123	3/8"	3/4"	45.4	44.0	
12256908043	1/2"	1/4"	48.6	39.0	
12256908063	1/2"	3/8"	48.3	28.6	
12256908083	1/2"	1/2"	48.7	45.2	
12256908123	1/2"	3/4"	48.7	45.2	
12256909063	9/16"	3/8"	51.4	42.2	
12256909083	9/16"	1/2"	51.4	48.6	
12256909123	9/16"	3/4"	51.5	48.5	
12256910083	5/8"	1/2"	53.8	51.5	
12256910123	5/8"	3/4"	53.8	51.4	
12256912083	3/4"	1/2"	56.6	52.8	
12256912123	3/4"	3/4"	56.2	53.0	

Grey

Note: Packing 25 unit



## Reducing Elbow Hose Connector

Cat. No.	Tube ID mm	Tube ID1 mm	L mm	L1 mm	Color
12446645448	5	4	31.8	27.8	Blue
12446646448	6	4	35.5	29.0	
12446646458	6	5	35.4	34.1	
12446648468	8	6	41.6	39.3	
12446650468	10	6	45.3	40.1	
12446650488	10	8	42.1	45.2	
12446652508	12	10	48.7	45.6	
12446654528	14	12	51.5	49.6	
12446656548	16	14	53.8	53.6	
12446659568	19	16	56.2	56.1	

Cat. No.	Tube ID inch	Tube ID1 inch	L mm	L1 mm	Color
12256603023	3/16"	5/32"	31.8	27.9	Grey
12256604033	1/4"	3/16"	35.4	34.1	
12256605043	5/16"	1/4"	39.4	41.6	
12256606043	3/8"	1/4"	40.2	45.3	
12256606053	3/8"	5/16"	42.5	45.5	
12256608063	1/2"	3/8"	45.8	48.6	
12256609083	9/16"	1/2"	49.8	51.1	
12256610093	5/8"	9/16"	53.6	53.6	
12256612103	3/4"	5/8"	55.8	55.8	

Note: Packing 25 unit

# Fittings Products

## Hose Fittings

Nylon 6-6



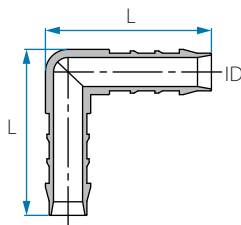
**Working pressure**  
Up to 14 BAR  
(200 psi) at 20 °C



**Temperature**  
-20 °C -110 °C  
(subject to application)



**Fittings' dimensions**  
refer to tube ID or OD,  
with respect to the  
common application



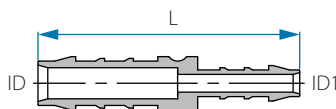
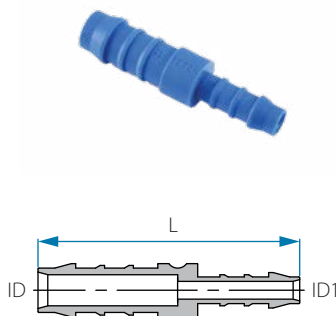
### Union Elbow Hose Connector

Cat. No.	Tube ID mm	L mm	Color
12446544008	4	26.3	
12446545008	5	31.7	
12446546008	6	35.5	
12446548008	8	41.4	
12446550008	10	44.6	Blue
12446552008	12	46.3	
12446554008	14	51.0	
12446556008	16	53.9	
12446559008	19	55.8	

Cat. No.	Tube ID inch	L mm	Color
12256502003	5/32"	25.6	
12256503003	3/16"	33.2	
12256504003	1/4"	36.1	
12256505003	5/16"	41.4	
12256506003	3/8"	44.6	Grey
12256508003	1/2"	47.6	
12256509003	9/16"	51.2	
12256510003	5/8"	54.3	
12256512003	3/4"	56.7	

Note: Packing 25 unit

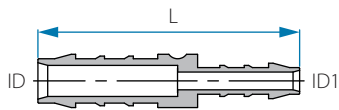
### Reducing Hose Connector



Cat. No.	Tube ID mm	Tube ID1 mm	L mm	Color
12445645448	5	4	42.2	
12445646448	6	4	45.7	
12445646458	6	5	50.6	
12445648458	8	5	54.4	
12445648468	8	6	56.3	
12445650468	10	6	58.9	
12445650488	10	8	62.0	
12445652488	12	8	63.8	Blue
12445652508	12	10	65.3	
12445654508	14	10	69.1	
12445654528	14	12	69.9	
12445656528	16	12	70.3	
12445656548	16	14	71.7	
12445659548	19	14	72.7	
12445659568	19	16	73.2	

Note: Packing 25 unit

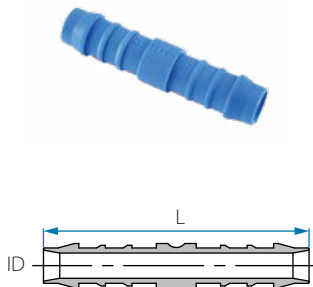
## Reducing Hose Connector



Cat. No.	Tube ID inch	Tube ID1 inch	L mm	Color
12255603023	3/16"	5/32"	42.2	
12255604023	1/4"	5/32"	45.7	
12255604033	1/4"	3/16"	50.6	
12255605033	5/16"	3/16"	54.4	
12255605043	5/16"	1/4"	56.3	
12255606043	3/8"	1/4"	58.9	
12255606053	3/8"	5/16"	62.0	
12255608053	1/2"	5/16"	63.8	Grey
12255608063	1/2"	3/8"	65.3	
12255609063	9/16"	3/8"	69.1	
12255609083	9/16"	1/2"	69.9	
12255610083	5/8"	1/2"	70.3	
12255610093	5/8"	9/16"	71.7	
12255612093	3/4"	9/16"	72.7	
12255612103	3/4"	5/8"	73.2	

Note: Packing 25 unit

## Union Hose Connector



Cat. No.	Tube ID mm	L mm	Color
12446244008	4	36.6	
12446245008	5	48.5	
12446246008	6	52.2	
12446248008	8	59.3	
12446250008	10	63.0	Blue
12446252008	12	66.0	
12446254008	14	71.8	
12446256008	16	72.5	
12446259008	19	73.5	

Cat. No.	Tube ID mm	L mm	Color
12446248001	8	60	White

Cat. No.	Tube ID inch	L mm	Color
12256202003	5/32"	36.6	
12256203003	3/16"	47.0	
12256204003	1/4"	52.2	
12256205003	5/16"	59.3	
12256206003	3/8"	63.0	Grey
12256208003	1/2"	66.3	
12256209003	9/16"	71.9	
12256210003	5/8"	71.4	
*12256211003	11/16"	59.1	
12256212003	3/4"	73.8	

\*Note: Packing 25 unit

# Fittings Products

## Hose Fittings

Nylon 6-6



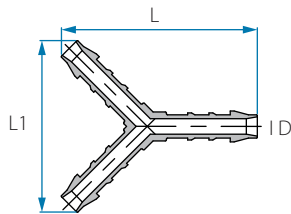
**Working pressure**  
Up to 14 BAR  
(200 psi) at 20 °C



**Temperature**  
-20 °C -110 °C  
(subject to application)



**Fittings' dimensions**  
refer to tube ID or OD,  
with respect to the  
common application

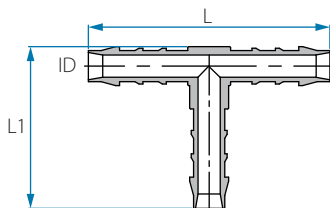


### Y Hose Connector

Cat. No.	Tube ID mm	L mm	L1 mm	Color
12446344448	4	35.0	31.0	Blue
12446346468	6	51.2	44.5	
12446348488	8	56.6	40.6	
12446350508	10	62.3	55.0	
12446357578	13.3	63.3	57.7	

Cat. No.	Tube ID inch	L mm	L1 mm	Color
12256302023	5/32"	35.5	30.8	Grey
12256304043	1/4"	50.8	44.3	
12256305053	5/16"	55.6	49.4	
12256306063	3/8"	60.8	54.9	
12256311113	11/16"	62.5	57.4	

Note: Packing 25 unit

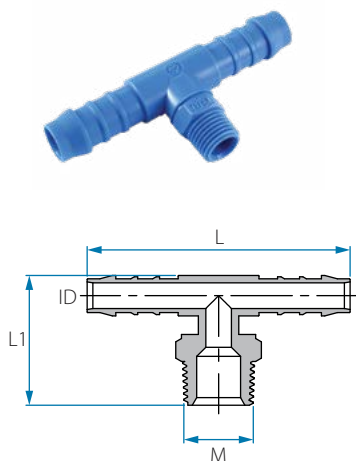


### Union T Hose Connector

Cat. No.	Tube ID mm	L mm	L1 mm	Color
12446444448	4	40	24.3	Blue
12446445458	5	50.95	30.8	
12446446468	6	56	32.2	
12446448488	8	61.7	38.5	
12446450508	10	67	41.8	
12446452528	12	70.86	45.1	
12446454548	14	76.6	49.1	
12446456568	16	79.6	52.1	
12446459598	19	80.0	56.0	
12446456562	16	79.6	52.1	

Cat. No.	Tube ID inch	L mm	L1 mm	Color
12256402023	5/32"	40	24.3	Grey
12256403033	3/16"	50.95	30.9	
12256404043	1/4"	56	32.2	
12256405053	5/16"	61.2	38.2	
12256406063	3/8"	67.0	41.8	
12256408083	1/2"	70.86	45.1	
12256409093	9/16"	76.6	49.1	
12256410103	5/8"	79.6	51.4	
12256412123	3/4"	80.0	56	

Note: Packing 25 unit



## BSPT Male Branch T Hose Connector

Cat. No.	Tube ID mm	M (BSPT)	L mm	L1 mm	Color
12447144028	4	1/8"	39.4	22.2	
12447144048	4	1/4"	45.2	27.0	
12447145028	5	1/8"	50.9	23.8	
12447145048	5	1/4"	56.5	29.6	
12447146028	6	1/8"	55.8	24.8	
12447146048	6	1/4"	63.1	30.0	
12447146068	6	3/8"	63.1	30.0	
12447146088	6	1/2"	63.1	33.8	
12447148028	8	1/8"	61.7	27.3	
12447148048	8	1/4"	72.7	33.1	
12447148068	8	3/8"	72.7	33.1	
12447148088	8	1/2"	61.8	33.9	
12447150048	10	1/4"	78.7	34.1	
12447150068	10	3/8"	78.7	34.1	Blue
12447150088	10	1/2"	78.9	38.1	
12447150128	10	3/4"	78.9	39.1	
12447152048	12	1/4"	82.7	35.2	
12447152068	12	3/8"	82.7	35.2	
12447152088	12	1/2"	82.6	39.1	
12447152128	12	3/4"	82.6	40.0	
12447154068	14	3/8"	85.6	38.5	
12447154088	14	1/2"	85.6	42.1	
12447154128	14	3/4"	85.6	43.3	
12447156088	16	1/2"	88.2	45.0	
12447156128	16	3/4"	88.5	46.3	
12447159088	19	1/2"	90.3	46.3	
12447159128	19	3/4"	90.7	47.7	

Note: Packing 25 unit

# Fittings Products

## Hose Fittings

Nylon 6-6



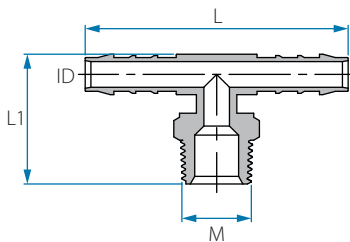
**Working pressure**  
Up to 14 BAR  
(200 psi) at 20 °C



**Temperature**  
-20 °C -110 °C  
(subject to application)



**Fittings' dimensions**  
refer to tube ID or OD,  
with respect to the  
common application



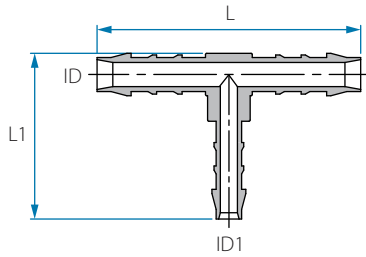
### NPT Male Branch T Hose Connector

Cat. No.	Tube ID inch	M (NPT)	L mm	L1 mm	Color
12257103083	3/16"	1/2"	56.3	39.3	
12257104023	1/4"	1/8"	63.0	29.4	
12257104043	1/4"	1/4"	63.0	33.8	
12257104063	1/4"	3/8"	63.0	33.7	
12257104083	1/4"	1/2"	63.0	40.3	
12257105023	5/16"	1/8"	72.5	32.3	
12257105043	5/16"	1/4"	72.5	36.8	
12257105063	5/16"	3/8"	72.5	36.9	
12257105083	5/16"	1/2"	72.5	42.8	
12257106043	3/8"	1/4"	78.5	38.0	
12257106063	3/8"	3/8"	78.5	37.7	
12257106083	3/8"	1/2"	78.5	44.0	
12257106123	3/8"	3/4"	78.5	43.8	Grey
12257108043	1/2"	1/4"	82.6	39.3	
12257108063	1/2"	3/8"	82.6	38.8	
12257108083	1/2"	1/2"	82.6	45.5	
12257108123	1/2"	3/4"	82.6	45.5	
12257109063	9/16"	3/8"	85.2	42.6	
12257109083	9/16"	1/2"	85.2	48.3	
12257109123	9/16"	3/4"	85.2	48.3	
12257110083	5/8"	1/2"	88.4	51.5	
12257110123	5/8"	3/4"	88.4	51.1	
12257112083	3/4"	1/2"	90.5	53.0	
12257112123	3/4"	3/4"	90.5	52.5	

Note: Packing 25 unit



## Reducing T Hose Connector



Cat. No.	Tube ID mm	Tube ID1 mm	L mm	L1 mm	Color
12447245448	5	4	50.7	25.7	Blue
12447246458	6	5	55.7	31.8	
12447248468	8	6	61.5	36.2	
12447250488	10	8	66.5	39.3	
12447252508	12	10	70.6	44.5	
12447254528	14	12	76.7	44.5	
12447256548	16	14	79.5	51.1	
12447259568	19	16	84.6	55.4	

Note: Packing 25 unit

Cat. No.	Tube ID inch	Tube ID1 inch	L mm	L1 mm	Color
12257203023	$\frac{3}{16}$ "	$\frac{5}{32}$ "	50.6	25.9	Grey
12257204033	$\frac{1}{4}$ "	$\frac{3}{16}$ "	55.8	32.0	
12257205043	$\frac{5}{16}$ "	$\frac{1}{4}$ "	61.5	36.2	
12257206053	$\frac{3}{8}$ "	$\frac{5}{16}$ "	66.5	39.3	
12257208063	$\frac{1}{2}$ "	$\frac{3}{8}$ "	70.3	43.5	
12257209083	$\frac{9}{16}$ "	$\frac{1}{2}$ "	76.3	48.0	
12257210093	$\frac{5}{8}$ "	$\frac{9}{16}$ "	79.4	51.0	
12257212103	$\frac{3}{4}$ "	$\frac{5}{8}$ "	84.3	55.2	

Note: Packing 25 unit

# Fittings Products

## Hose Fittings

Nylon 6-6



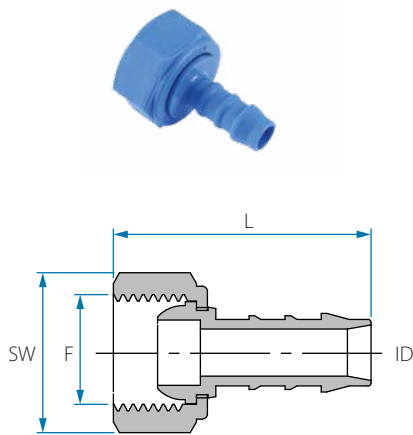
**Working pressure**  
Up to 14 BAR  
(200 psi) at 20 °C



**Temperature**  
-20 °C -110 °C  
(subject to application)



**Fittings' dimensions**  
refer to tube ID or OD,  
with respect to the  
common application

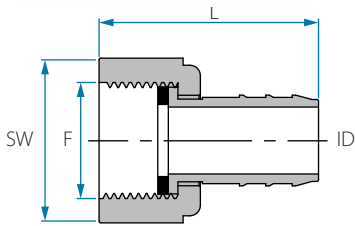


Note: No need for flat washer

### Female Swivel Straight Hose Connector - Conical Seat

Cat. No.	Tube ID mm	F (BSP)	L mm	SW	Color
22444644028	4	1/8"	27.5	13	
22444644048	4	1/4"	31.7	17	
22444645028	5	1/8"	32.0	13	
22444645048	5	1/4"	36.2	17	
22444645068	5	3/8"	36.0	20	
22444646048	6	1/4"	37.3	17	
22444646068	6	3/8"	36.8	20	
22444646088	6	1/2"	39.5	24	
22444648048	8	1/4"	41.3	17	
22444648068	8	3/8"	40.8	20	
22444648088	8	1/2"	43.6	24	Blue
22444648128	8	3/4"	43.4	30	
22444650068	10	3/8"	42.8	20	
22444650088	10	1/2"	43.6	24	
22444650128	10	3/4"	45.6	30	
22444652088	12	1/2"	46.7	24	
22444652128	12	3/4"	46.5	30	
22444654088	14	1/2"	48.9	24	
22444654128	14	3/4"	48.1	30	
22444656128	16	3/4"	48.5	30	
22444659128	19	3/4"	49.3	30	
22444648042	8	1/4"	41.3	17	
22444650062	10	3/8"	42.8	20	Black
22444652082	12	1/2"	46.7	24	

## Female Swivel Straight Hose Connector



Cat. No.	F (BSP)	Tube ID1 mm	L mm	SW	Color
*22454765168	24	1"	61.8	44	Blue

Material: Polypropylene

Note: Sealing is by flat washer (order separately)

# THREADED CONNECTORS



**Food Contact  
FDA 21 CFR**  
For blue Nylon  
6-6 only



**Food Contact  
(EU) 1935/2004**  
For blue Nylon  
6-6 only



For blue, gray & black  
Nylon 6-6 only



P. 77



P. 77



P. 78



P. 78



P. 79



P. 79



P. 80



P. 80



P. 81



P. 81



P. 82



P. 82



P. 83



P. 83



P. 83

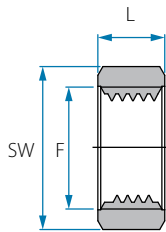
# Nylon 6-6



**Working pressure**  
Up to 14 BAR  
(200 psi) at 20 °C



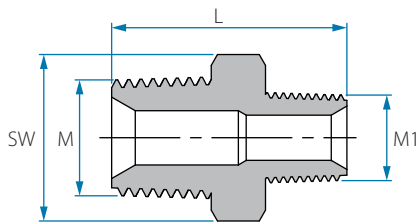
**Temperature**  
-20 °C -110 °C  
(subject to application)



## Panel Mounting Nut

Cat. No.	F (BSPT)	L mm	SW	Color
**32006100042	1/4"	5.0	17	Black
32006100081	1/2"	11.6	26	White
32006100082	1/2"	11.6	26	Black
32006100088	1/2"	11.6	26	Blue
*32006100201	M20	10	26	White

Note: Packing 25 unit  
\* Thin configuration  
\*\* Acetal



## BSPT Pipe Reducing Nipple

Cat. No.	M (BSPT)	MI (BSPT)	L mm	SW	Color
12012304028	1/4"	1/8"	25.2	14	
12012306028	3/8"	1/8"	27.1	17	
12012306048	3/8"	1/4"	28.5	17	Blue
12012308048	1/2"	1/4"	31.5	22	
12012308068	1/2"	3/8"	31.5	22	
12012312088	3/4"	1/2"	34.5	27	

Note: Packing 25 unit

## NPT Pipe Reducing Nipple

Cat. No.	M (NPT)	MI (NPT)	L mm	SW	Color
12022304023	1/4"	1/8"	28.4	14	
12022306023	3/8"	1/8"	29.6	17	
12022308023	1/2"	1/8"	34.9	22	
12022312023	3/4"	1/8"	35.4	27	
12022306043	3/8"	1/4"	33.4	17	
12022308043	1/2"	1/4"	38.7	22	Grey
12022312043	3/4"	1/4"	39.4	27	
12022308063	1/2"	3/8"	39.1	22	
12022312063	3/4"	3/8"	39.6	27	
12022312083	3/4"	1/2"	44.1	27	

Note: Packing 25 unit

# Fittings Products

## Threaded Connectors

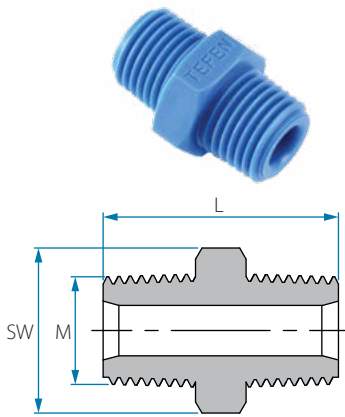
Nylon 6-6



**Working pressure**  
Up to 14 BAR  
(200 psi) at 20 °C



**Temperature**  
-20 °C -110 °C  
(subject to application)



### BSPT Pipe Hex Nipple

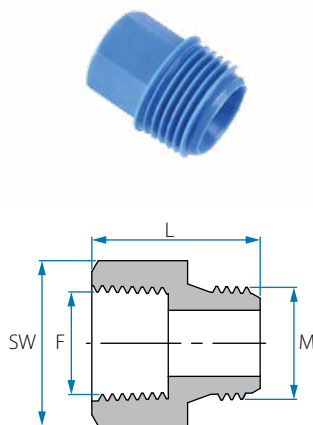
Cat. No.	M (BSPT)	L mm	SW	Color
12012202028	1/8"	23.2	11	Blue
12012204048	1/4"	27.1	14	
12012206068	3/8"	28.2	17	
12012208088	1/2"	34.1	22	
12012212128	3/4"	36	27	

Note: Packing 25 unit

### NPT Pipe Hex Nipple

Cat. No.	M (NPT)	L mm	SW	Color
12022202023	1/8"	23.9	11	Grey
12022204043	1/4"	32.7	14	
12022206063	3/8"	34.4	17	
12022208083	1/2"	43.3	22	
12022212123	3/4"	44.4	27	

Note: Packing 25 unit

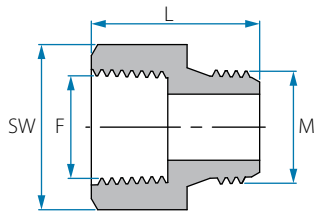


### BSPT Pipe Adaptor

Cat. No.	F (BSPT)	M (BSPT)	L mm	SW	Color
12012002028	1/8"	1/8"	23.0	14	Blue
12012002048	1/8"	1/4"	23.0	14	
12012002068	1/8"	3/8"	24.0	14	
12012002088	1/8"	1/2"	26.9	14	
12012004028	1/4"	1/8"	22.1	17	
12012004048	1/4"	1/4"	24.0	17	
12012004068	1/4"	3/8"	24.8	17	
12012004088	1/4"	1/2"	27.2	17	
12012006028	3/8"	1/8"	23.1	22	
12012006048	3/8"	1/4"	25.2	22	
12012006068	3/8"	3/8"	25.7	22	
12012006088	3/8"	1/2"	28.2	22	
12012008028	1/2"	1/8"	25.6	26	
12012008048	1/2"	1/4"	27.3	26	
12012008068	1/2"	3/8"	28.0	26	
12012008088	1/2"	1/2"	30.6	26	

Note: Packing 25 unit

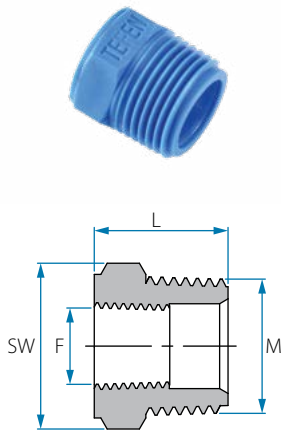
## NPT Pipe Adaptor



Cat. No.	F (NPT)	M (NPT)	L mm	SW	Color
12022002023	1/8"	1/8"	23.4	14	■ Grey
12022002043	1/8"	1/4"	23.4	14	
12022002063	1/8"	3/8"	27.4	14	
12022002083	1/8"	1/2"	32.5	14	
12022004023	1/4"	1/8"	26.5	17	
12022004043	1/4"	1/4"	30.7	17	
12022004063	1/4"	3/8"	30.5	17	
12022004083	1/4"	1/2"	35.5	17	
12022006023	3/8"	1/8"	26.3	22	
12022006043	3/8"	1/4"	26.5	22	
12022006063	3/8"	3/8"	30.4	22	
12022006083	3/8"	1/2"	35.5	22	
12022008023	1/2"	1/8"	30.0	26	
12022008043	1/2"	1/4"	34.0	26	
12022008063	1/2"	3/8"	36.6	26	
12022008083	1/2"	1/2"	39.0	26	

Note: Packing 25 unit

## BSPT Pipe Bushing



Cat. No.	M (BSPT)	F (BSPT)	L mm	SW	Color
12011004028	1/4"	1/8"	17.2	14	■ Blue
12011006028	3/8"	1/8"	17.8	17	
12011006048	3/8"	1/4"	17.8	17	
12011008028	1/2"	1/8"	20.7	22	
12011008048	1/2"	1/4"	20.4	22	
12011008068	1/2"	3/8"	20.7	22	
12011012048	3/4"	1/4"	22.0	27	
12011012068	3/4"	3/8"	22.2	27	
12011012088	3/4"	1/2"	22.4	27	

Note: Packing 25 unit

## NPT Pipe Bushing

Cat. No.	M (NPT)	F (NPT)	L mm	SW	Color
12021004023	1/4"	1/8"	21.0	15	■ Grey
12021006023	3/8"	1/8"	20.8	18	
12021006043	3/8"	1/4"	20.8	19	
12021008023	1/2"	1/8"	27.2	24	
12021008043	1/2"	1/4"	27.1	19	
12021008063	1/2"	3/8"	27.2	29	
12021012043	3/4"	1/4"	27.0	29	
12021012063	3/4"	3/8"	27.2	29	
12021012083	3/4"	1/2"	27.3	29	

Note: Packing 25 unit

# Fittings Products

## Threaded Connectors

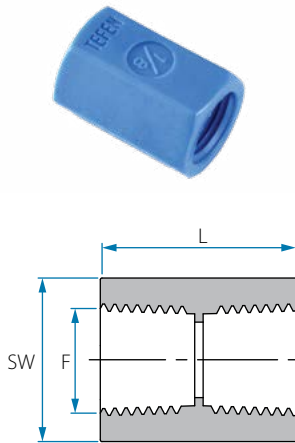
Nylon 6-6



**Working pressure**  
Up to 14 BAR  
(200 psi) at 20 °C



**Temperature**  
-20 °C -110 °C  
(subject to application)



### BSPT Female Pipe Coupling

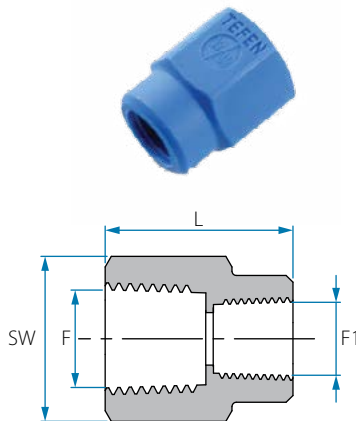
Cat. No.	F (BSPT)	L mm	SW	Color
12010302021	1/8"	20.0	14	White
12010304042	1/4"	23.6	17	Black
12010312122	3/4"	38.0	34	
12010302028	1/8"	20.0	14	
12010304048	1/4"	23.6	17	
12010306068	3/8"	24.5	21	Blue
12010308088	1/2"	29.7	26	
12010312128	3/4"	38.0	34	

Note: Packing 25 unit

### NPT Female Pipe Coupling

Cat. No.	F (NPT)	L mm	SW	Color
12020302023	1/8"	19.7	14	
12020304043	1/4"	23.5	17	Grey
12020306063	3/8"	24.6	22	
12020308083	1/2"	29.5	27	

Note: Packing 25 unit



### BSPT Pipe Reducing Coupling

Cat. No.	F (BSPT)	F1 (BSPT)	L mm	SW	Color
12011904028	1/4"	1/8"	22.0	17	
12011906028	3/8"	1/8"	24.5	21	
12011906048	3/8"	1/4"	24.5	21	
12011908048	1/2"	1/4"	27.0	26	Blue
12011908068	1/2"	3/8"	27.0	26	
12011912048	3/4"	1/4"	30.1	34	
12011912088	3/4"	1/2"	35.0	34	

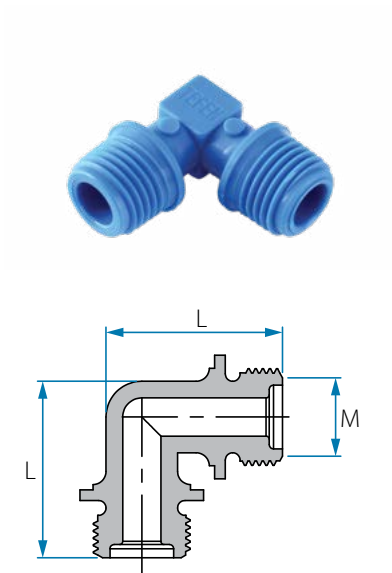
Note: Packing 25 unit

### NPT Pipe Reducing Coupling

Cat. No.	F (NPT)	F1 (NPT)	L mm	SW	Color
12021904023	1/4"	1/8"	22.0	17	
12021906023	3/8"	1/8"	24.4	22	
12021906043	3/8"	1/4"	24.8	22	Grey
12021908043	1/2"	1/4"	27.0	26	
12021908063	1/2"	3/8"	26.8	26	

Note: Packing 25 unit





## BSPT Threaded Elbow

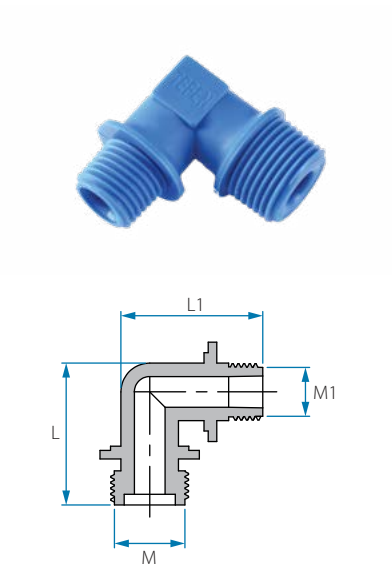
Cat. No.	M (BSPT)	L mm	Color
12016502008	1/8"	24.4	Blue
12016504008	1/4"	26.4	
12016506008	3/8"	31.8	
12016508008	1/2"	40.2	Black
12016502002	1/8"	24.4	
12016504001	1/4"	26.4	
12016504002	1/4"	26.4	Black

Note: Packing 25 unit

## NPT Threaded Elbow

Cat. No.	M (NPT)	L mm	Color
12026502003	1/8"	23.8	Grey
12026504003	1/4"	28.4	

Note: Packing 25 unit



## BSPT Reducing Threaded Elbow

Cat. No.	M (BSPT)	M1 (BSPT)	L mm	L1 mm	Color
12016904028	1/4"	1/8"	26.4	24.4	Blue
12016906048	3/8"	1/4"	31.8	31.5	
12016908068	1/2"	3/8"	40.0	38.1	

Note: Packing 25 unit

## NPT Reducing Threaded Elbow

Cat. No.	M (NPT)	M1 (NPT)	L mm	L1 mm	Color
12026904023	1/4"	1/8"	28.4	24.0	Grey

Note: Packing 25 unit

# Fittings Products

## Threaded Connectors

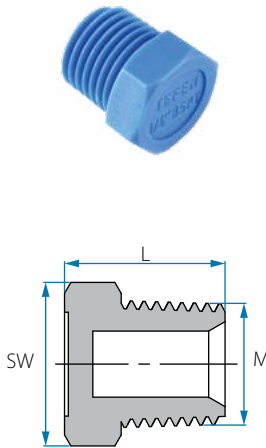
Nylon 6-6



**Working pressure**  
Up to 14 BAR  
(200 psi) at 20 °C



**Temperature**  
-20 °C -110 °C  
(subject to application)



### BSPT Hex Threaded Plug

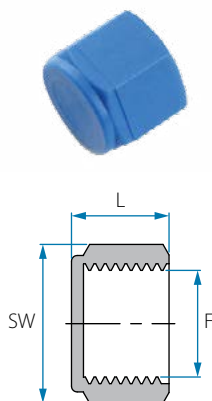
Cat. No.	M (BSPT)	L mm	SW	Color
12012102008	1/8"	13.6	11	Blue
12012104008	1/4"	16.6	14	
12012106008	3/8"	16.1	17	
12012108008	1/2"	19.6	22	
12012112008	3/4"	22.0	27	
12012116008	1"	27.0	36	
12012104001	1/4"	16.6	14	White
12012104002	1/4"	16.6	14	Black
12012102002	1/8"	13.6	11	

Note: Packing 25 unit

### NPT Hex Threaded Plug

Cat. No.	M (NPT)	L mm	SW	Color
12022102003	1/8"	14.7	11	Grey
12022104003	1/4"	19.4	14	
12022106003	3/8"	20.4	17	
12022108003	1/2"	25.6	22	
12022112003	3/4"	26.0	27	

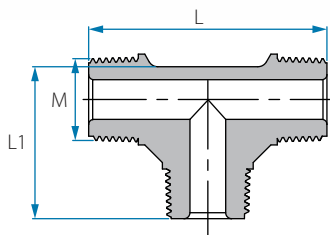
Note: Packing 25 unit



### BSPT Pipe Cap

Cat. No.	F (BSPT)	L mm	SW	Color
12010802008	1/8"	10.4	13	Blue
12010804008	1/4"	14.2	17	
12010806008	3/8"	14.2	20	
12010808008	1/2"	17.1	24	
12010812008	3/4"	17.1	30	

Note: Packing 25 unit



## BSPT Pipe T

Cat. No.	M (BSPT)	L mm	L1 mm	Color
12016402008	1/8"	39.8	24.1	Blue
12016404008	1/4"	44.0	26.2	
12016406008	3/8"	50.5	32.0	
12016408008	1/2"	64.0	40.3	

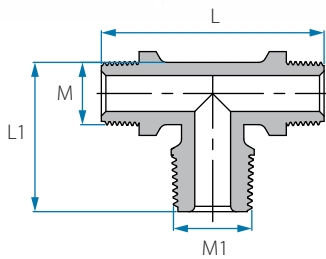
Note: Packing 25 unit

## NPT Pipe T

Cat. No.	M (NPT)	L mm	L1 mm	Color
12026402003	1/8"	39.3	24.0	Grey
12026404003	1/4"	48.4	28.5	

Note: Packing 25 unit

## BSPT Pipe Reducing Branch T



Cat. No.	M (BSPT)	M1 (BSPT)	L mm	L1 mm	Color
12017102048	1/8"	1/4"	39.7	26.4	Blue
12017104028	1/4"	1/8"	43.3	24.2	
12017104068	1/4"	3/8"	43.3	38.2	
12017106048	3/8"	1/4"	60.2	26.4	
12017108068	1/2"	3/8"	64.2	38.2	
12017106088	3/8"	1/2"	60.2	40.4	

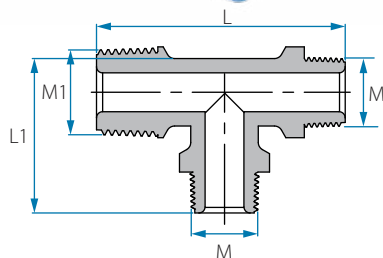
Note: Packing 25 unit

## NPT Pipe Reducing Branch T

Cat. No.	M (NPT)	M1 (NPT)	L mm	L1 mm	Color
12027104023	1/4"	1/8"	48.4	24.0	Grey

Note: Packing 25 unit

## BSPT Pipe Reducing Run T



Cat. No.	M (BSPT)	M1 (BSPT)	L mm	L1 mm	Color
12017204028	1/4"	1/8"	41.8	26.3	Blue
12017206048	3/8"	1/4"	48.3	30.8	
12017208068	1/2"	3/8"	62.0	40.0	
12017202048	1/8"	1/4"	42.7	25.5	
12017204068	1/4"	3/8"	48.5	31.0	
12017206088	3/8"	1/2"	62.0	38.2	

Note: Packing 25 unit

## NPT Pipe Reducing Run T

Cat. No.	M (NPT)	M1 (NPT)	L mm	L1 mm	Color
12027204023	1/4"	1/8"	41.8	26.3	Grey

Note: Packing 25 unit

# QUICK RELEASE

The special quick connector offers a fast and reliable push-to-connect mechanism. The outer sleeve locks the plug into the socket.

When the plug is disconnected, the socket acts as a shut-off valve.

A variety of plugs can be connected and used, suitable for hydraulic or pneumatic systems.



P. 85



P. 85



P. 85



P. 85



**Working pressure**  
Up to 14 BAR  
(200 psi) at 20 °C



**Temperature**  
4 °C - 90 °C  
(subject to application)

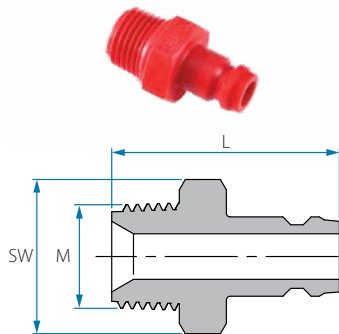
part	material
Body	Nylon 6-6
Internal parts	Acetal
Spring + Ball	Stainless Steel



## Quick Release Socket

Cat. No.	F (BSPT)	L mm	SW	O-ring	Color
22080004000	1/4"	44.0	19	NBR	Red
22081104002	1/4"	44.0	19	EPDM	White
22080004001	1/4"	44.0	19	EPDM	White

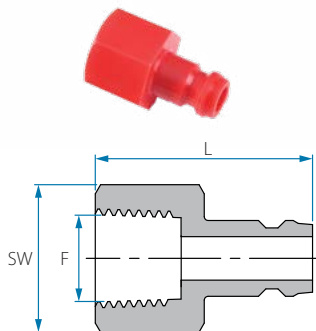
## Acetal



## Plug - External Thread

Cat. No.	M (BSPT)	L mm	SW	Color
12081404006	1/4"	31.2	17	Red

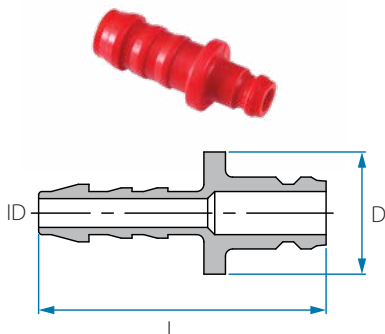
Note: Packing 25 unit



## Plug - Internal Thread

Cat. No.	F (BSPT)	L mm	SW	Color
12081504006	1/4"	28.6	17	Red

Note: Packing 25 unit



## Plug - Hose Connector

Cat. No.	Tube ID mm	L mm	D	Color
12081645006	5	37.8	16.7	Red
12081646006	6	39.8	16.7	
12081648006	8	43.2	16.8	
12081650006	10	43.2	16.8	
12081652006	12	43.2	16.8	

Note: Packing 25 unit

# UNIQUE SOLUTIONS



P. 87



P. 87



P. 88



P. 88



P. 88



P. 88



P. 89



P. 89



P. 90



P. 90



P. 90



P. 91



P. 91



P. 91

**Fittings' dimensions** refer to tube ID or OD, with respect to the common application.

The Tefen snap clips are the simple and fast solution for securing flexible hoses and tubes on any barb fittings.

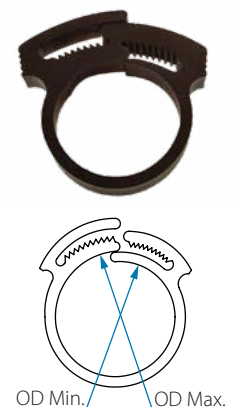
**How to use:**

Insert the snap clip onto the tube on place, and give it a manual press to ensure snug joint. Use a plier for final tightening.

**How to release:**

Apply lateral pressure to unlock it. Main advantages: Strong, Durable, Reusable, reasonable price.

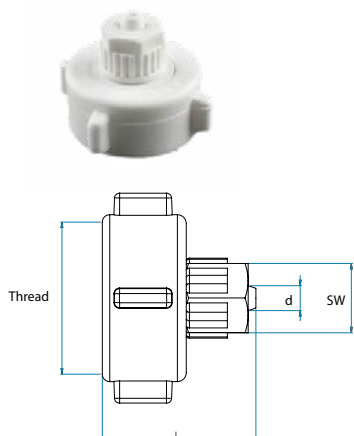
## Acetal



## Snap Clip

Cat. No.	Tube OD min - max	Color
17090010002	8-10	■ Black
17090012002	10-12	
17090013002	11-13	
17090015002	13-15	
17090016002	14-16	
17090017002	15-17	
17090018002	16-18	
17090019002	17-19	
17090020002	18-20	
17090021002	20-22	
17090023002	21-23	
17090025002	23-25	
17090028002	26-28	
17090049002	47-49	

\* Only RoHS



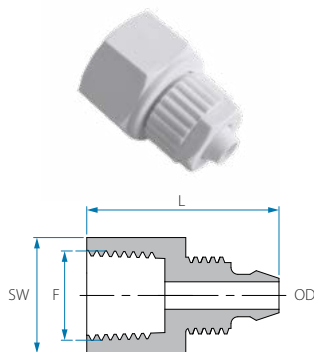
## BSP Female Union Swivel Connector

Cat. No.	Tube OD	Thread BSPT inch	Tube ID	Color
22044704121	1/4"	3/4"	6	□ White
22044746121	6 mm	3/4"	6	
22044648121	8 mm	3/4"	6	
22044750121	10 mm	3/4"	6	
22044752121	12 mm	3/4"	6	

Note: POLYPROPYLENE  
Product is sold without flat seal (can be ordered separately)

# Fittings Products

## Unique Solutions



### BSPT Female Union Swivel Connector

Cat. No.	Tube OD mm	Thread BSPT inch	Tube ID	SW	SWI	Color
22044746061	6	3/8"	6.2	14	20	
22044746081	6	1/2"	6.2	14	24	
22044748061	8	3/8"	6.2	14	20	<input type="checkbox"/> White
22044748081	8	1/2"	6.2	14	24	
22044750081	10	1/2"	6.2	14	24	

Note: POLYPROPYLENE



### BSPT Female Elbow Swivel Connector

Cat. No.	Tube OD mm	F (BSPT)	L mm	L1 mm	Material	Color
22044548121	8	3/4"	40.0	42.5	PP	<input type="checkbox"/> White
224547E8121	8	3/4"	40.0	42.5	Acetal	

Note: Product is sold without flat seal (can be ordered separately)



### Water Pre Filter

Cat. No.	Filter Micron	Maximum flow rate L/M	Maximum flow rate G/M	Hose connector inlet/outlet (inch)	Anti scale substance	Check valve	Diameter mm (inch)	Length mm (inch)	Color
22046709101	100	8	2.11	8 mm (5/16")	-	-	32 (1 1/4")	71.7 (2 13/16")	<input type="checkbox"/> White
22046709501	100	8	2.11	10 mm (3/8")	-	-	32 (1 1/4")	78 (3 1/16")	<input type="checkbox"/> White
220467T9008	100	8	2.11	8 mm (5/16")	✓	✓	32 (1 1/4")	71.7 (2 13/16")	<input checked="" type="checkbox"/> Blue

Note: Body and Cover - Acetal

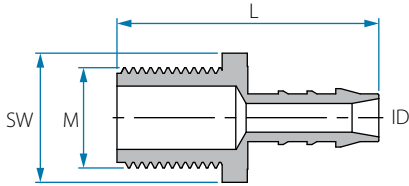




## Flange Mounting Male Hose Connector

Cat. No.	Tube ID mm	M (BSPT)	L mm	D mm	SW	Color
12F46850088	10	1/2"	49.3	30.0	22	Blue

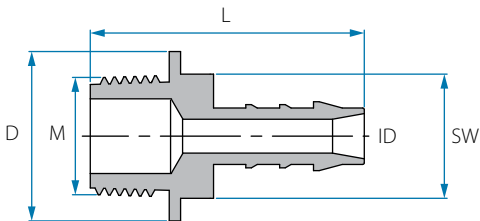
Note: Packing 25 unit



## Special Panel Male Hose Connector

Cat. No.	Tube ID mm	M (BSP)	L mm	SW	Color
12P46850088	10	1/2"	53.4	27	Blue

Note: Packing 25 unit



# Fittings Products

## Unique Solutions



### Working pressure

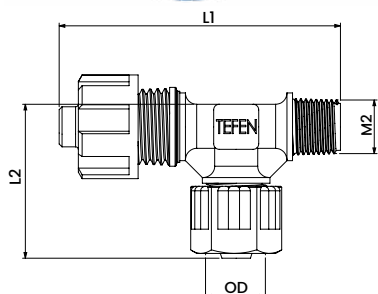
Up to 10 BAR  
(145 psi) at 20 °C



### Temperature

4 °C - 50 °C  
(subject to application)

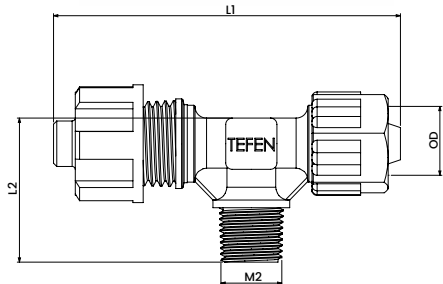
part	material
Body	PP
Socket	Nylon 6-6
Rubber	EPDM



## Pressure Check Socket

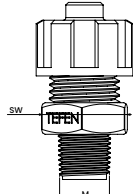
Cat. No.	L1 mm	L2 mm	OD mm	M2 (BSPT)
22M47502042	50	27.5	8	1/8"

REACH & RoHS on request



Cat. No.	L1 mm	L2 mm	OD mm	M2 (BSPT)
22M47802048	54	22.5	8	1/8"

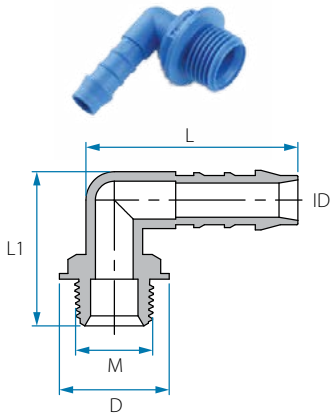
REACH & RoHS on request



Cat. No.	SW	M (BSPT)
22016204022	15	1/8"
22016204042	15	1/4"
22016204062	22	3/8"
22016204082	22	1/2"

REACH & RoHS on request

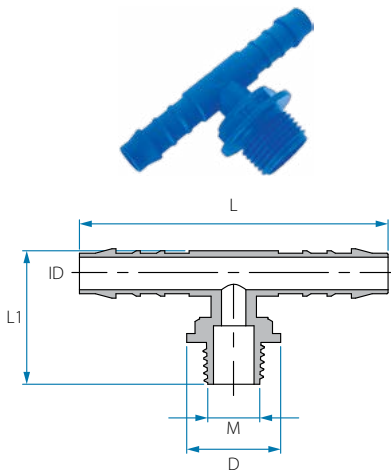
Fittings' dimensions refer to tube ID or OD, with respect to the common application.



### BSPT Male Elbow Hose Connector - Flange

Cat. No.	Tube ID mm	M (BSPT)	L mm	L1 mm	D mm	Color
12F46950068	10	3/8"	45.7	34.7	23.5	Blue
12F46950088	10	1/2"	45.5	38.9	30.0	

Note: Packing 25 unit



### BSPT Flange Branch T Hose Connector

Cat. No.	Tube ID mm	M (BSPT)	L mm	L1 mm	D mm	Color
12F47150068	10	3/8"	79.0	34.5	23.5	Blue
12F47150088	10	1/2"	78.9	39.2	30.0	

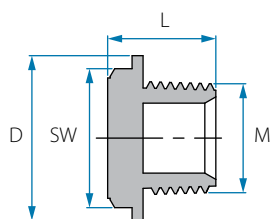
Note: Packing 25 unit



### BSPT Hex Threaded Flange Plug

Cat. No.	M (BSPT)	L mm	SW	D mm	Color
12012108L08	1/2"	21.9	22	29.9	Blue

Note: Packing 25 unit



### Custom Made Threaded Plug

Cat. No.	M (NPT)	L mm	SW	Color
12S22108003	1/2"	25.3	22	Grey

Note: Packing 25 unit

### Custom Made Reducing Coupling

Cat. No.	F (NPT)	F1 (BSPT)	L mm	SW	Color
12011908063	1/2"	3/8"	27.7	27	Grey

Note: Packing 25 unit

# TUBES



See specifics  
in following tables



P. 93



P. 94



P. 95



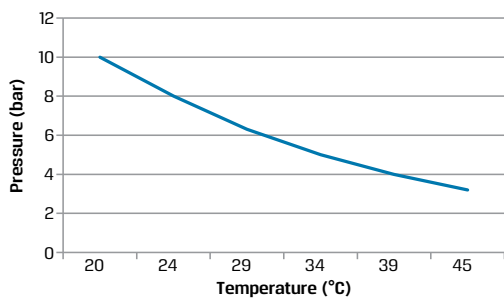
P. 95

## LDPE



### LDPE Control Tube

Product code	Tube OD mm	Tube ID mm	Min Bend Radius	Roll Length	Burst Pressure	Available colors
1403004601X	6	4	1"	100 m	32 bars	White, Black, Red, Green, Blue, Yellow
1403004620X	6	4	1"	200 m	32 bars	White, Black, Red, Green, Blue, Yellow
1403004650X	6	4	1"	500 m	32 bars	White, Black, Red, Blue
1403004810X	8	5.6	1.5"	100 m	32 bars	White, Black, Red, Green, Blue, Yellow
1403004820X	8	5.6	1.5"	200 m	32 bars	White, Black, Red, Green, Blue, Yellow
1403004850X	8	5.6	1.5"	500 m	32 bars	White, Black, Red, Green, Blue, Yellow



### LDPE Color coding

LDPE tubes: X stands for the color of the tube.

- 1  White
- 2  Black
- 6  Red
- 7  Green
- 8  Blue
- 9  Yellow

\* If not in stock, min. quantity 20,000 m.

# Flow Products

## Tubes

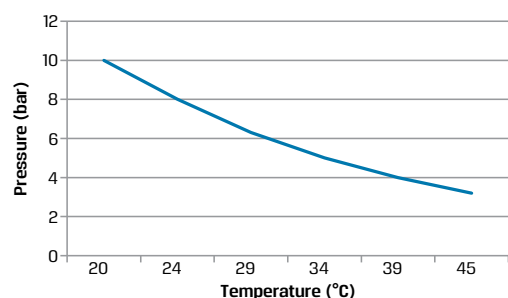
### LDPE



### LDPE Tube

Product code	Tube OD mm	Tube ID mm	Min Bend Radius	Roll Length	Burst Pressure	Available colors
1403004410X	4	2.2	12	100 m	34 bars	<input type="checkbox"/> <input checked="" type="checkbox"/> <input checked="" type="checkbox"/> <input checked="" type="checkbox"/> <input checked="" type="checkbox"/> <input checked="" type="checkbox"/>
1403004610X	6	4	25	100 m	34 bars	<input type="checkbox"/> <input checked="" type="checkbox"/> <input checked="" type="checkbox"/> <input checked="" type="checkbox"/> <input checked="" type="checkbox"/> <input checked="" type="checkbox"/>
1403000510X	8	5.3	35	100 m	32 bars	<input type="checkbox"/> <input checked="" type="checkbox"/> <input checked="" type="checkbox"/> <input checked="" type="checkbox"/> <input checked="" type="checkbox"/> <input checked="" type="checkbox"/>
1403005010X	10	7	50	100 m	28 bars	<input type="checkbox"/> <input checked="" type="checkbox"/> <input checked="" type="checkbox"/> <input checked="" type="checkbox"/> <input checked="" type="checkbox"/> <input checked="" type="checkbox"/>
1403005210X	12	9	75	100 m	28 bars	<input type="checkbox"/> <input checked="" type="checkbox"/> <input checked="" type="checkbox"/> <input checked="" type="checkbox"/> <input checked="" type="checkbox"/> <input checked="" type="checkbox"/>







Product code	Tube OD mm	Tube ID mm	Min Bend Radius	Roll Length	Burst Pressure	Available colors
1403000310X	3/16"	0.117"	1/2"	100 m	34 bars	<input type="checkbox"/> <input checked="" type="checkbox"/>
1403000410X	1/4"	0.170"	1"	100 m	32 bars	<input type="checkbox"/> <input checked="" type="checkbox"/> <input checked="" type="checkbox"/> <input checked="" type="checkbox"/> <input checked="" type="checkbox"/>
*14030004111	1/4"	0.170"	1"	100 m	32 bars	<input type="checkbox"/>
1403000510X	5/16"	0.212"	1 1/2"	100 m	32 bars	<input type="checkbox"/> <input checked="" type="checkbox"/> <input checked="" type="checkbox"/> <input checked="" type="checkbox"/> <input checked="" type="checkbox"/> <input checked="" type="checkbox"/>
1403000610X	3/8"	0.256"	2"	100 m	28 bars	<input type="checkbox"/> <input checked="" type="checkbox"/> <input checked="" type="checkbox"/> <input checked="" type="checkbox"/> <input checked="" type="checkbox"/> <input checked="" type="checkbox"/>
1403005210X	12	9	75	100 m	28 bars	<input type="checkbox"/> <input checked="" type="checkbox"/> <input checked="" type="checkbox"/> <input checked="" type="checkbox"/> <input checked="" type="checkbox"/> <input checked="" type="checkbox"/>



\* If not in stock, min. quantity 20,000 m.

### LDPE Color coding

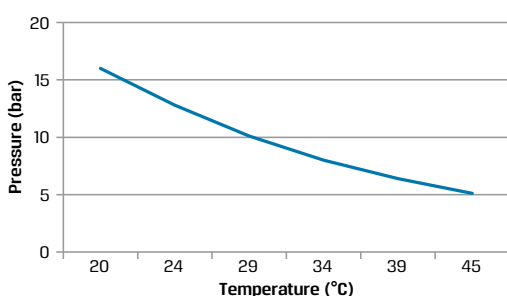
tubes: X stands for the color of the tube.

- 1  Semi Transparent 
- 2  Black 
- 6  Red 
- 7  Green 
- 8  Blue 
- \*  White 

## HDPE

### HDPE PN-16

Product code	Name	Tube OD mm	Wall Thickness	Nominal Pressure Bar (PSI)	Min Bend Radius	Roll Length
1402004610X	HDPE PN-88	6.00	1	16 (235.2)	30	100 m
1402000410X	HDPE PN-17	6.35 (¼")	1 (0.039")	16 (235.2)	1.25"	100 m
1402004810X	HDPE PN-106	8.00	1.00	16 (235.2)	40	100 m
1402000510X	HDPE PN-52	8.00 (5/16")	1.00 (0.039")	16 (235.2)	1.6"	100 m



### HDPE Color coding

HDPE tubes: X stands for the color of the tube.

- 1  Semi Transparent
- 2  Black
- 6  Red
- 7  Green
- 8  Blue
- 9  Yellow

\* If not in stock, min. quantity 20,000 m.

## PVC

### Plasticized PVC Tube

Product code	Tube OD mm	Tube ID mm	Roll Length
1407000510X	5	3	100 m
1407000520X	5	3	200 m
1407000550X	5	3	500 m
1407006510X	6.5	4	100 m
1407006520X	6.5	4	200 m
1407000710X	7	4	100 m
1407000720X	7	4	200 m
1407000750X	7	4	500 m
*14070010102	10	7	100 m
1407001210X	12	7	100 m
1407001310X	13	9	100 m
1407001610X	16	11	100 m

\* Available only in black

If not in stock, min. quantity 20,000 m.

### PVC Color coding

PVC tubes: X stands for the color of the tube.

- 2  Black
- 3  Brown



# VALVES

Tefen's valves are suitable for various applications. They are resistant to high pressure and chemicals, work in a wide range of temperatures, improved grinding and discrepancies. They are designed for flexibility, efficiency and reliability.



P. 97



P. 97



P. 97



P. 97



P. 97



P. 97



P. 98



P. 98



P. 99



P. 99





### Working pressure

PP - up to 10 BAR  
(145.04 PSI) at 20 °C  
Acetal & PVDF - up to 16 BAR  
(232.06 PSI) at 20 °C



### Temperature

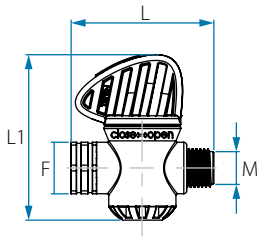
PP - (-5) °C - 60 °C  
(subject to application)  
Acetal & PVDF - (-20) °C - 90 °C  
(subject to application)



## Dual Tech Valve

Cat. No.	M (BSPT)	F (BSPT)	L mm	L1 mm	Material	Color
23002404042	1/4"	1/4"	51.2	57.6	Acetal	Black
23002504043	1/4"	1/4"	51.7	58.8	PP	Grey
23002904041	1/4"	1/4"	51.8	59.0	PVDF	White

Note: All configurations (8 mm barb / 1/4" thread) available on demand



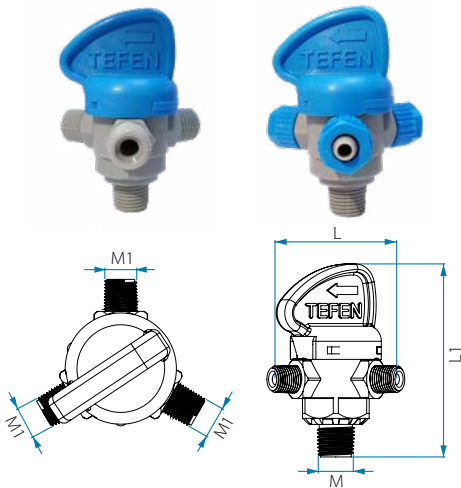
### Working pressure

Up to 10 BAR  
(145.04 psi) at 20 °C



### Temperature

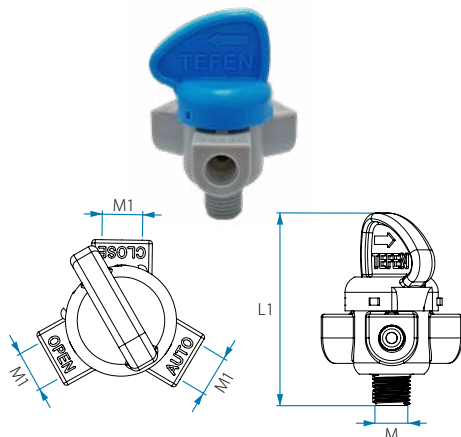
(-5) °C - 60 °C  
(subject to application)



## Quatro Tech Valve

Cat. No.	M (BSPT)	M1 (BSPT)	L mm	L1 mm	Color
23003403033	1/4"	1/8"	49.7	68.3	Grey
23003404043	1/4"	1/4"	52.0	68.3	
23003408083	1/4"	8 mm	55.5	68.3	
**23003402483	1/4"	**	51.7	58.8	

Note: All configurations (8 mm barb / 1/4" / 1/8" thread) available on demand  
\*\* 8 mm barb connection



Cat. No.	M (BSPT)	M1 (NPT) Female	L1 mm	Color
23003405063	1/4"	1/8"	68	Grey
23003406053	1/4"	1/8"	68	Dark Grey

# Flow Products

## Valves

Reinforces  
Polypropylene



**Working pressure**  
Up to 8 BAR  
(116.03 psi) at 20 °C

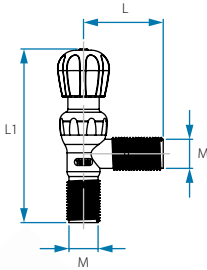


**Temperature**  
-4 °C -90 °C  
(subject to application)



### Fine Flow Needle Valve

Cat. No.	M (BSPP)	L mm	L1 mm	Handle Color	Flow Range (l/h)	Seals
22272908011	1/2"	50.0	108-122	Orange	10-100	Viton



**Working pressure**  
Up to 16 BAR  
(232.06 psi) at 20 °C

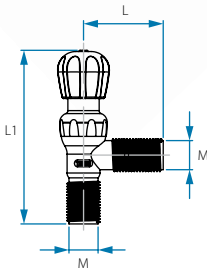


**Temperature**  
-4 °C -90 °C  
(subject to application)



### High Flow Needle Valve

Cat. No.	M (BSPP)	L mm	L1 mm	Handle Color	Flow Range (l/h)	Seals
22272908111	1/2"	50.0	108-122	Grey	100-1000	EPDM

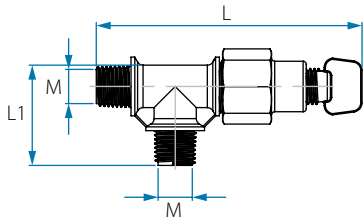




## Needle Valve

Cat. No.	M (BSPT)	M1 (BSPT)	L mm	L1 mm	Color
22272904011	1/4"	1/4"	74.4-87.2	31.8	<input type="checkbox"/> White

Note: Material: Acetal



**Working pressure**  
up to 16 bar (232.06 PSI)  
at 20°C

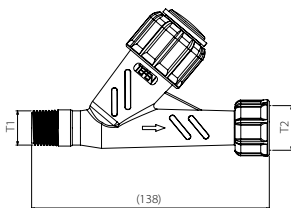
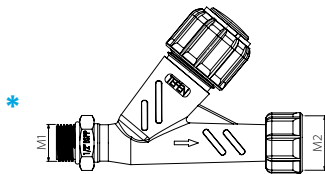


**Temperature**  
0 °C - 60 °C  
(subject to application)



## Line Check Valve

Cat. No.	M1	Male/ Female	M1	Male/ Female	Seals
23441108122	1/2" BSPT	Male*	3/4" BSPP	Female	VITON
23444008122	1/2" BSPT	Male	3/4" BSPP	Female	EPDM
23444012122	3/4" BSPT	Female	3/4" BSPP	Female	EPDM
23444016122	1" BSPT	Female	3/4" BSPP	Female	EPDM
23444108122	1/2" BSPT	Male	3/4" BSPP	Female	VITON
23444115122	3/4" BSPT	Female	3/4" BSPP	Female	VITON
23444116122	1" BSPT	Female	3/4" BSPP	Female	VITON



# Spraying & Fogging Nozzles

Tefen spray and fogging nozzles are designed for various applications.

They are ideal for adding humidity and cooling for livestock applications, vegetable and industrial refrigerators

- Fan Nozzles: straight wetting pattern.
- Connection: Flange configuration.
- Conical spray nozzles: round hollow wetting pattern.
- Connection: Flange configuration.
- Conical spray nozzle with 1/8" NPT male thread: give a round hollow wetting pattern.
- Non Drip nozzle: allow to hold the fluid pressure at 0.3 [bar] for fast and short operation and prevent fluid dripping.
- Finger filter: will give extra protection for each nozzle small articles in the system to prevent clogging.
- Adjustable nozzle: design for domestic use, fits with Tefen spray guns.
- Nozzle filter: designed to fit Tefen nozzle holders. Filter screen= 100 mesh/ /140 micron.
- Misting unit: Designed with 2 adjustable arms, to hold 2 flange nozzles specially designed for vitrine fruit & vegetables supermarket refrigerators.
- 1/8" short finger filter: Designed for small hydraulic loops on agriculture and industrial application. Filter screen= 100 mesh/ /149 micron.
- 1/4" long finger filter: designed for an integral filtration of hydraulic control valves. Filter screen= 100 mesh/ /149 micron.



P. 101



P. 101



P. 102



P. 102



P. 103



P. 103



P. 104



P. 104



P. 105



P. 105



P. 105



P. 105



P. 105



P. 106



P. 106



P. 106



P. 106



P. 106



P. 106



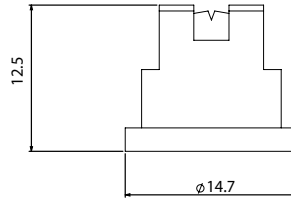
P. 106



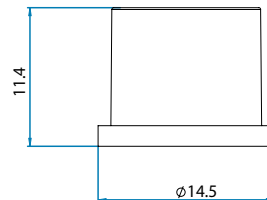
P. 106

## Acetal

### Fan Spray Nozzle



Product code	Marking	$\alpha$ Angle	Lit per Min Bar 2	Lit per Min Bar 3	Lit per Min Bar 4	Lit per Min Bar 6	Lit per Min Bar 8	Lit per Min Bar 10	Color
12210110057	110 005	110 °	0.296	0.362	0.417	0.513	0.585	0.658	Green
12210110209	110 02	110 °	1.20	1.45	1.70	2.00	2.267	2.533	Yellow
12210110255	110 025	110 °	0.623	0.780	0.899	1.106	1.267	1.428	Creme
12210110308	110 03	110 °	1.167	1.432	1.649	2.039	2.330	2.620	Blue
12210110406	110 04	110 °	1.434	1.760	2.032	2.501	2.857	3.212	Red
12210110503	110 05	110 °	1.627	2.027	2.350	2.893	3.315	3.737	Brown
12210165051	65 005	65 °	0.38	0.47	0.53	0.66	0.753	0.847	White
12210165052	65 005	65 °	0.38	0.47	0.53	0.66	0.753	0.847	Black

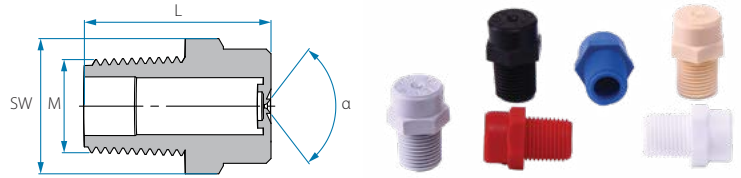


### Conical Spray Nozzle

Product code	Marking	$\alpha$ Angle	Lit per Min Bar 2	Lit per Min Bar 3	Lit per Min Bar 4	Lit per Min Bar 6	Lit per Min Bar 8	Lit per Min Bar 10	Color
22210011055	1 105	105 °	0.058	0.068	0.078	0.098	0.111	0.125	Creme
22210011057	1 105	105 °	0.058	0.068	0.078	0.098	0.111	0.125	Green
22210016502	1 65	65 °	0.061	0.074	0.084	0.098	0.110	0.123	Black
22210018001	1 80	80 °	0.063	0.078	0.092	0.117	0.135	0.153	White
22210018002	1 80	80 °	0.063	0.078	0.092	0.117	0.135	0.153	Black
22210018011	1 80F	80 °	0.035	0.042	0.049	0.059	0.067	0.075	Off White
22210018012	1 80F	80 °	0.035	0.042	0.049	0.059	0.067	0.075	Black
22210028006	3 80	80 °	0.350	0.430	0.520	0.630	0.723	0.817	Red

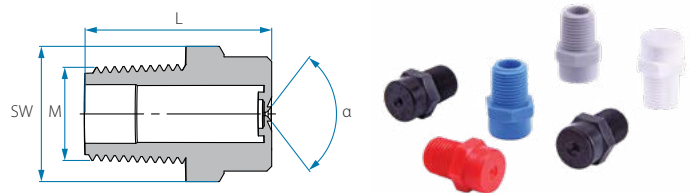
# Flow Products

## Spraying & Fogging Nozzles



### Conical Spray Nozzle 1/8" NPT

Product code	Marking	α Angle	M	L mm	SW	Lit per Min Bar 2	Lit per Min Bar 3	Lit per Min Bar 4	Lit per Min Bar 6	Lit per Min Bar 8	Lit per Min Bar 10	Color
22210211055	21 105	105 °	1/8"	20.5	13	0.063	0.075	0.086	0.108	0.123	0.138	Orange
22210218008	21 80	80 °	1/8"	20	13	0.060	0.070	0.080	0.093	0.104	0.115	Blue
22210078001	07 80	80 °	1/8"	20.3	13	0.043	0.053	0.060	0.069	0.078	0.086	White
22210078002	07 80	80 °	1/8"	20.3	13	0.043	0.053	0.060	0.069	0.078	0.086	Black
22210078003	07 80	80 °	1/8"	20.3	13	0.043	0.053	0.060	0.069	0.078	0.086	Grey
22210221202	22 120	120 °	1/8"	20.4	13	0.108	0.132	0.152	0.190	0.217	0.245	Black
22210221207	22 120F	120 °	1/8"	20.4	13	0.083	0.099	0.113	0.142	0.161	0.183	Green
22210078006	07 80F	80 °	1/8"	19.8	13	0.038	0.047	0.054	0.064	0.073	0.081	Red
22210078011	07 80F	80 °	1/8"	19.8	13	0.038	0.047	0.054	0.064	0.073	0.081	White
22210078012	07 80F	80 °	1/8"	19.8	13	0.038	0.047	0.054	0.064	0.073	0.081	Black
22212201458	220 145	145 °	1/8"	20.0	13	0.171	0.207	0.240	0.280	0.327	0.368	Blue



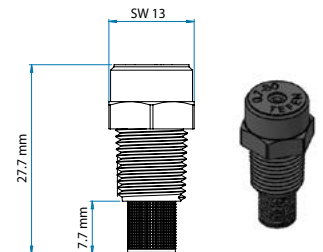
### Non Drip Conical Spray Nozzle 1/8" NPT

Product code	Marking	Thread Size	α Angle	L mm	SW	Lit per Min Bar 3	Lit per Min Bar 4	Lit per Min Bar 6	Lit per Min Bar 8	Lit per Min Bar 10	Color
22211211055	21 105	1/8"	105 °	20.5	13	0.072	0.084	0.106	0.123	0.140	Orange
22211211052	21 105	1/8"	105 °	20.5	13	0.072	0.084	0.106	0.123	0.140	Black
22211218008	21 80	1/8"	80 °	20	13	0.06	0.074	0.092	0.108	0.124	Blue
22211078001	07 80	1/8"	80 °	20.3	13	0.046	0.053	0.069	0.081	0.092	White
22211078002	07 80	1/8"	80 °	20.3	13	0.046	0.053	0.069	0.081	0.092	Black
22211078003	07 80	1/8"	80 °	20.3	13	0.046	0.053	0.069	0.081	0.092	Grey
22211221202	22 120	1/8"	120 °	20.4	13	0.120	0.142	0.182	0.213	0.244	Black
22211078006	07 80F	1/8"	80 °	19.8	13	0.040	0.048	0.062	0.073	0.084	Red
22211078011	07 80F	1/8"	80 °	19.8	13	0.040	0.048	0.062	0.073	0.084	White
22211078012	07 80F	1/8"	80 °	19.8	13	0.040	0.048	0.062	0.073	0.084	Black
22211221207	22 120F	1/8"	120 °	20.4	13	0.099	0.113	0.142	0.161	0.183	Green
22212211458	220 145	1/8"	145 °	20.0	13	0.168	0.205	0.257	0.313	0.360	Blue

## Conical Spray Nozzle 1/8" NPT with Filter



Product code	Marking	Thread Size	$\alpha$ Angle	L mm	Lit per Min Bar 2	Lit per Min Bar 3	Lit per Min Bar 4	Lit per Min Bar 6	Lit per Min Bar 8	Lit per Min Bar 10	Color
22219211055	21 105	1/8"	105 °	15	0.060	0.070	0.080	0.093	0.104	0.115	Creme
22219218008	21 80	1/8"	80 °	15	0.060	0.070	0.080	0.093	0.104	0.115	Blue
22219078001	07 80	1/8"	80 °	15	0.041	0.05	0.057	0.066	0.074	0.083	White
22219078002	07 80	1/8"	80 °	15	0.041	0.05	0.057	0.066	0.074	0.083	Black
22219078003	07 80	1/8"	80 °	15	0.043	0.053	0.060	0.069	0.078	0.086	Grey
22219221202	22 120	1/8"	120 °	15	0.103	0.124	0.149	0.171	0.194	0.216	Black
22219078006	07 80F	1/8"	80 °	15	0.040	0.046	0.053	0.061	0.068	0.075	Red
22219078012	07 80F	1/8"	80 °	15	0.040	0.046	0.053	0.061	0.068	0.075	Black



## Non Drip Conical Spray Nozzle 1/8" NPT with short Filter

Product code	Marking	Thread Size	$\alpha$ Angle	Lit per Min Bar 2	Lit per Min Bar 3	Lit per Min Bar 4	Lit per Min Bar 6	Lit per Min Bar 8	Lit per Min Bar 10	Color
22215211055	21 105	1/8"	105 °	0.06	0.07	0.08	0.093	0.104	0.115	Creme
*22212218038	21 80	1/8"	80 °	0.06	0.07	0.08	0.093	0.104	0.115	Blue
22215218008	21 80	1/8"	80 °	0.06	0.07	0.08	0.093	0.104	0.115	Blue
22211078031	07 80	1/8"	80 °	0.041	0.05	0.057	0.066	0.074	0.083	White
22211078033	07 80	1/8"	80 °	0.041	0.05	0.057	0.066	0.074	0.083	Grey
22215078006	07 80F	1/8"	80 °	0.103	0.124	0.149	0.171	0.194	0.216	Red
22215078011	07 80F	1/8"	80 °	0.103	0.124	0.149	0.171	0.194	0.216	White
22215221202	22 120	1/8"	120 °	0.103	0.124	0.149	0.171	0.194	0.216	Black

Note: \* Viton ball

# Flow Products

## Spraying & Fogging Nozzles

### Acetal

#### High Flow Nozzle

Product code	Marking	$\alpha$ Angle	Thread Size	Lit per Min Bar 2	Lit per Min Bar 3	Lit per Min Bar 4	Lit per Min Bar 6	Color
22210311055	31 105	105 °	1/8"	0.084	0.096	0.118	0.120	■ Creme
*22219311055	31 105	105 °	1/8"	0.080	0.090	0.102	0.110	

\* With filter



#### Accessories for Nozzles

Product code	Product
38000000054	PVC Protector Cap for Nozzle

The PVC Cap protects the delicate upper nozzle crown from external mechanical damage.



#### Conical spray nozzle with cap filter

Product code	Marking	Thread Size	$\alpha$ Angle	Lit per Min Bar 2	Lit per Min Bar 3	Lit per Min Bar 4	Lit per Min Bar 6	Lit per Min Bar 8	Lit per Min Bar 10	Color
22212078001	07 80	1/8"	80 °	0.041	0.05	0.057	0.066	0.074	0.083	□ White
22212078011	07 80F	1/8"	80 °	0.041	0.05	0.057	0.066	0.074	0.083	□ White
22212211055	21 105	1/8"	105 °	0.06	0.07	0.08	0.093	0.104	0.115	■ Creme
22212218008*	21 80	1/8"	80 °	0.103	0.124	0.149	0.171	0.194	0.216	■ Blue
22212221202	22 120	1/8"	120 °	0.103	0.124	0.149	0.171	0.194	0.216	■ Black

\*non-drop





## Adjustable Nozzle

Product code	Name	Color
2221420001	Adjustable Nozzle	<input type="checkbox"/> White



## Nozzle Filter

Product code	Micron	L mm	Mesh	Color
22212791100	140	21.1	100	<input type="checkbox"/> White
*22212791000	140	21.1	100	<input checked="" type="checkbox"/> Red

\* non drop



## Push-in Fitting Adaptor for 1/8" Nozzle

Product code	Stem D	Inner Thread	Color
22211502061	3/8"	1/8" NPT	<input type="checkbox"/> White
22211502062	3/8"	1/8" NPT	<input checked="" type="checkbox"/> Black



## Misting Unit Mark 1

Product code	R1	R2	SW1	SW2	SW3	Color
222729T0101	1 1/16" NC	1/4" NPT	17.5	16	17.5 mm	<input type="checkbox"/> White
222729T0102	1 1/16" NC	1/4" NPT	17.5	16	17.5 mm	<input checked="" type="checkbox"/> Black



## Valve Release / Drain Valve

Product code	Thread BSPT	Color
22273008002	1/2"	<input checked="" type="checkbox"/> Black
22273108002	1/2"	

Valve release: Valve installed vertically upwards on the highest point. Functions as Anti-Vacuum (syphon) valve (CAT. No. 22273008002).  
 Drain Valve with stainless spring. Valve installed at pipe end. For automatic drainage of condensed water in compressed-air lines, after shut-off of compressed air

# Flow Products

## Spraying & Fogging Nozzles

### Polypropylene



### Finger Filter for Hydraulic Valves

Product code	Tube ID	Length	SW	Mesh	Color
22212002028	1/8" BSPT	30.3	14	100	Blue Short
22212791028	1/8" BSPT	43.8	14	100	Blue Long

Product code	Tube ID	Tube OD	Length	SW	Mesh	Color
**22212791002	1/8" NPT	1/4" NPT	48.3	14	100	Black

\*\* special design for control valves

### Acetal



### Nut 11/16" For Nozzle

Product code	Type
32272900082	1 1/16" NC

### 1/4" Female Straight Nozzle Holder

Product code	R1	R2
32210300042	1 1/16" NC	1/4" NPT

### 1/4" Male Straight Nozzle Holder

Product code	R1	R2
32212200042	1 1/16" NC	1/4" NPT

### 1/4" Female 135° Nozzle Holder Cat. No.

Product code	R1	R2
32210000040	1 1/16" NC	1/4" NPT

# AIR BLOW GUNS

Tefen's Blow Guns are a widely used for spraying, disinfecting and machine and industrial cleaning. suitable for a wide use rang with our Fan Spray, Conical Spray and Adjustable nozzles (with flange connection).

Wide rang of input connections, lengths and tipping ends.  
Internal nozzle filter- optional.



P.108



P.108



P.108



P.108



P.109



P.109



P.109



P.109



P.109

# Flow Products

## Air Blow Guns



### Air Blow Gun

With a general purpose nozzle

Product code	Type
22200004022	1/4" female



### Air Blow Gun

With an osha regulation safety nozzle

Product code	Type
22200004012	1/4" female



### Air Blow Gun

with an air screen nozzle to deflect flying chips away from operator

Product code	Type
22200004032	1/4" female
22200011062	1/16" male



### Air Blow Gun

with a restriction nozzle to regulate output air volume

Product code	Type
22200004042	1/4" female



## Air Blow Gun Mark II

Product code	Nozzle Type mm
22240000060	6 nozzle



## Air Blow Gun Mark III

Product code
22230000000



## Spray Gun

Product code	End connector inch
22210004002	1/4" female
22210011003	1 1/16" male



## 8 mm Nylon Retractable Coil

Product code	Length
24050505058	5 feet
24050505108	10 feet
24050505158	15 feet



## Spray Gun - Iodine

Product code	End connector inch
22210004004	1/4" female



**Tefen Flow & Dosing Technologies Ltd.**

Kibbutz Nahsholim, 3081500 Israel | Tel. 972 4 6395554 | [info@tefentech.com](mailto:info@tefentech.com) | [tefentech.com](http://tefentech.com)

For the removal of any doubt, this documents does not constitute an offer on the part of Tefen and/or any undertaking on its part. Tefen may change the content of this document and/or the technical specifications of the products and/or add and/or remove products and/or change prices and/or any terms and conditions specified in this document at any time and upon its sole discretion without any prior notice.



ISO 9001  
2015 certified