



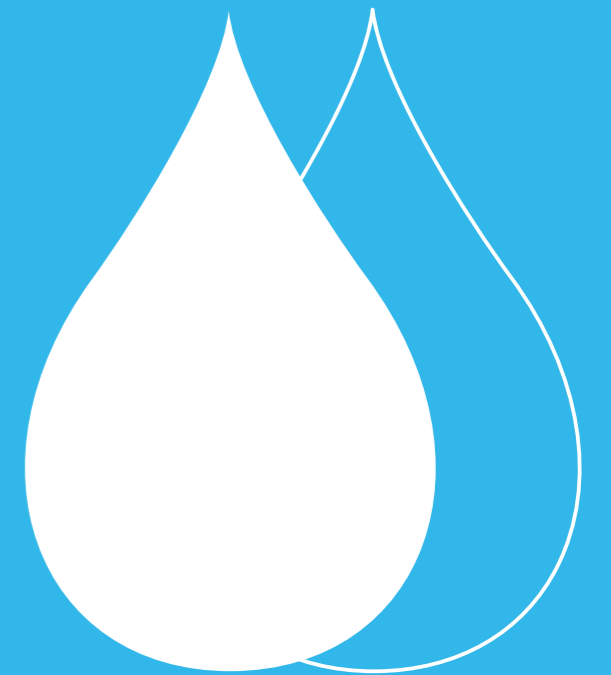
Fluidfit

CDC Pneumatics :
Pure & Safe



Fluidfit

CDC Pneumatics :
Pure & Safe



Fluidfit

CONTENTS

06	About Us
07	Features / Specifications
08	Products
10	Selection Guide
11	Connection & Disconnection / Product Code System / Caution

12	POM
13	FITTINGS
14	- Metric Fittings
18	- Inch Fittings
22	- Swivel Type Fittings
25	- Large Size Fittings
26	VALVES
26	- Single Check Valves
27	- Flow Control Valves
29	- Ball Valves
31	FILTER STRAINERS
32	STEELFIT
33	CARTRIDGES
35	ACCESSORIES

36	PP - VALVES
----	--------------------

38	PPSU - FITTINGS
----	------------------------

42	PE - TUBE
----	------------------

44	SUS316L / PVDF
----	-----------------------



Fluidfit

Naturally high-quality,
improved by technology.

Fitting for Potable Water, Beverages & Drink Dispense



Why Fluidfit Stands Out

Fluidfit sets itself apart by delivering innovative solutions and proven reliability centered on total customer satisfaction.

✓ Reliable Products

- Each product is inspected with 100% quality control to meet the highest standards
- Certified by NSF 51/61, WRAS, KTW, and ICIM, underscoring our commitment to excellence

✓ Easy Operation without Tools

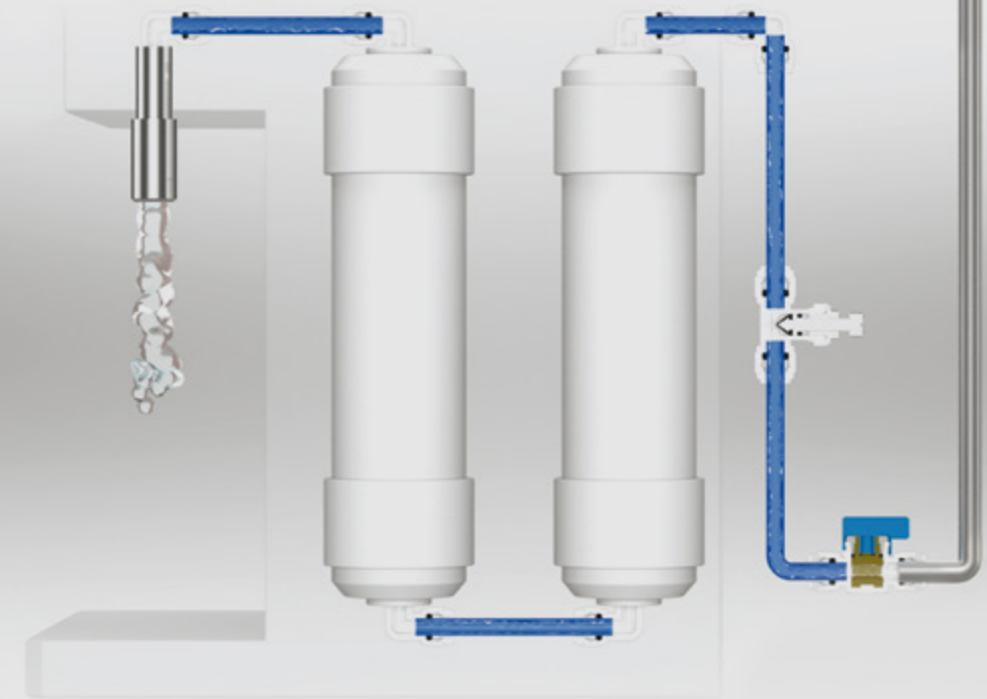
- Engineered for ease of use, requiring no tools for simple, efficient operation

✓ Pure and Safe

- Designed with FDA-approved EPDM O-rings and premium materials, ideal for water, beverage, and drink dispensing applications, ensuring safe and reliable use

✓ Eco-friendly

- Created using eco-friendly materials and processes to minimize our environmental footprint



Applications and Features

- **Versatile performance** for water, food, and air, with specialized compatibility for gases, vacuum, and liquids.
- Instant single-action connection and release - engineered to **minimize installation time and operational costs**
- Fluidfit products are made of **NSF approved non-toxic materials**
- Various uses depending on the user's environment and application

Specifications

- Fluidfit products are designed for water, food and air contact
- **Fluid type** : Water, Beverages
- **Applicable Tube** : Polyethylene(PE), Polyamide(PA), Polyurethane(PU)

FLUIDFIT Products

| Color | **BK** Black **WT** White **GY** Gray

POM | Fittings, Valves and etc.



Metric Fittings **BK** **WT**



Inch Fittings **GY**



Large Size Fittings **BK**



Push-in Fittings : Metric Size Fittings / Inch Size Fittings / Swivel type Fittings / Large Size Fittings

- **One-touch type** enabling easy to attach and detach, safe use
- **Cork-type** allowing excellent sealing function and high durability against leakage
- Made of **FDA-approved** material ensuring its safety, certified as **NSF 51, 61**
- Food and beverage fittings with oval sleeves



Check Valves **BK** **WT** **GY**

- Non-return valve that allows fluid to flow only in one direction
- Usable for water, food and beverage
- Compact size for convenient use in narrow spaces
- Easy to install and convenient to use



Flow Control Valves **BK** **GY**

- Valve that discharges constant flow by controlling small flow rate
- Usable for water, food and beverage
- Flow rate increase / decrease controller available under any spatial changes
- Securable stability under any temperature changes



Ball Valves **BK** **WT** **GY**

- Valve to open and close the supply of compressed air and water
- Usable for air and water, convenient for use in confined spaced
- Adaptive fit for various hose sizes, ensuring a secure connection and consistent flow area



Filter Strainers **BK** **GY**

- Usable for water, food and beverage
- Filter out fine impurities with stainless steel filter net
- Easy filter installation and replacement



STEELFIT **GY**

- Nut and holder with two O-rings provide a stronger seal
- Allowing the use of stainless pipe or similar tube



Cartridges **BK** **WT** **GY**

- Effectively inserting and using a counterpart with a cavity in the counterpart
- Composed of half & full cartridges made of acetal and brass materials



Accessories

- Usable for water, food and beverage
- Made of FDA-approved material ensuring its safety, certified as NSF 51, 61

PP | Valves



Ball Valves **WT**

- More chemically resistant than acetal
- Used in water supply feed line, Beverage dispenser

PPSU | Fittings



Fittings **WT**

- High-performance solution for high-temp/high-pressure lines. Ideal for hygienic applications in Food, Medical, and Semiconductor industries.
- Stable up to 140°C with superior chemical resistance. Ensures a perfect seal via effortless, one-touch assembly.




PE | Tubes






Tubes

- Water purifier, coffee machine, food and beverage hose
- Available for various range of temperatures and pressures
- Excellent chemical durability
- Compliance with FDA standards

Selection Guide for F&B Fitting Materials

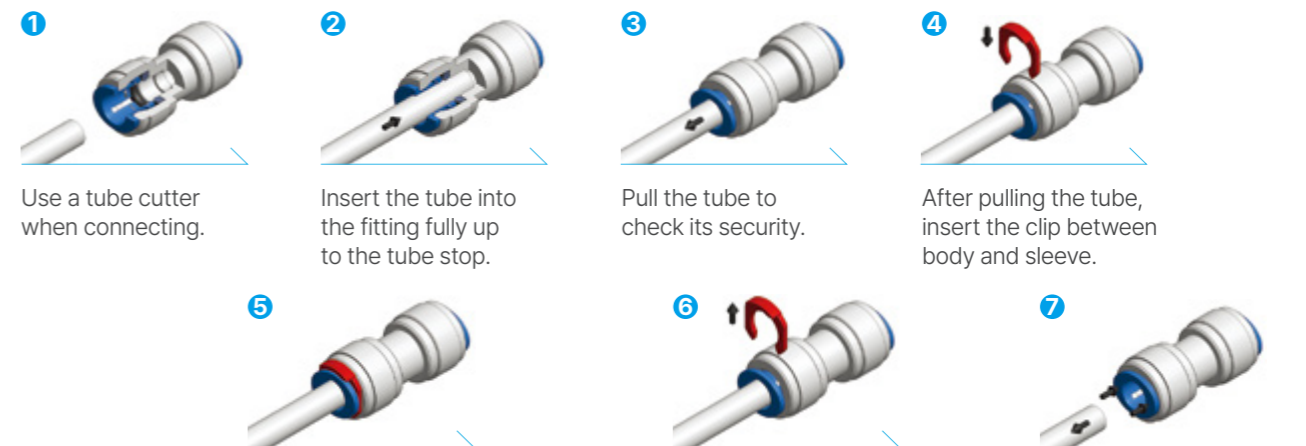
	POM (Polyoxymethylene)	PP (Polypropylene)	PPSU (Polyphenylsulfone)
Product			
Operating Temperature (Continuous Use Standards)	-20~98°C * Certified Temp: 0°C ~ 65°C	0~60°C	-20~140°C
Operating Pressure (May vary depending on the tube type and temperature)	-0.95bar ~ 20bar	0bar ~ 10bar	-0.95bar ~ 20bar
Applications	<ul style="list-style-type: none"> Residential & Commercial Purifiers Cold & Ambient Water Lines RO(Reverse Osmosis) Systems Food & Beverage Equipment Feed Line 	<ul style="list-style-type: none"> F&B Equipment Internal Piping Washable Sections in Food Facilities Beverage & Dairy Transfer Systems Auxiliary Water Lines for F&B Processing 	<ul style="list-style-type: none"> Hot Water Purifiers Coffee & Tea Extraction Equipment Hot Water Lines for Beverage Heating F&B Equipment with High-Temp Cleaning
O-Ring / Body	EPDM, NBR / POM	EPDM, NBR / PP	FKM / SUS316L / PPSU
Applicable Certifications	NSF51, NSF61, WRAS, ICIM, ACS, KTW-BWGL	NSF51, NSF61	NSF169

	PVDF (Polyvinylidene Fluoride)	SUS316L (316L Stainless Steel)	POK (Polyketone)
Product	 <small>Coming soon</small>	 <small>Coming soon</small>	 <small>Coming soon</small>
Operating Temperature (Continuous Use Standards)	-20~120°C	-15~220°C	0~98°C
Operating Pressure (May vary depending on the tube type and temperature)	-0.95bar ~ 20bar	-0.95bar ~ 15bar	-0.95bar ~ 20bar
Applications	<ul style="list-style-type: none"> Semiconductor & Display Auxiliary Processes Battery & Secondary Cell Manufacturing Chemical Industry 	<ul style="list-style-type: none"> F&B Plant Internal Piping Pharmaceutical & Bio F&B Processes High-Temp & High-Pressure Drinking Water Lines CIP / SIP Integrated Sections 	<ul style="list-style-type: none"> Premium Water Purifiers Direct-Connection Drinking Water Systems Chlorinated Water Lines (Long-term Use)
O-Ring / Body	FKM / SUS316L / PVDF	FKM / SUS316L	EPDM, FKM / POK
Applicable Certifications	NSF169	FDA	NSF51, NSF61

* **Note:** Bodies and O-rings available in alternative materials upon request.

Maximum Torque Values for BSP, BSPT and NPT Plastic Threads					
Threads	1/8"	1/4"	3/8"	1/2"	3/4"
Max. Torque	1.5Nm	1.5Nm	3.0Nm	3.0Nm	4.0Nm

Connection & Disconnection



- Use a tube cutter when connecting.
- Insert the tube into the fitting fully up to the tube stop.
- Pull the tube to check its security.
- After pulling the tube, insert the clip between body and sleeve.
- Push back the tube one more time to check it is secure. The usage of clip is to prevent the tube pulling-out and the shaking.
- Check the system pressure before pulling out the tube. Remove the clip before removing the tube.
- To remove the tube press, hold collet while pulling out the tube.

Product Code System

<p>METRIC - BSPT(R)</p> <p>HPC 06 - R01</p> <table border="1"> <thead> <tr> <th rowspan="2">FITTING FOR WATER APPLICATION</th> <th colspan="2">TUBE DIA</th> <th colspan="2">THREAD SIZE</th> </tr> <tr> <th>CODE</th> <th>SIZE</th> <th>R(PT)</th> <th>THREAD</th> </tr> </thead> <tbody> <tr> <td></td> <td>04</td> <td>Ø4</td> <td>CODE</td> <td>SIZE</td> </tr> <tr> <td></td> <td>06</td> <td>Ø6</td> <td>R01</td> <td>R1/8</td> </tr> <tr> <td></td> <td>08</td> <td>Ø8</td> <td>R02</td> <td>R1/4</td> </tr> <tr> <td></td> <td>10</td> <td>Ø10</td> <td>R03</td> <td>R3/8</td> </tr> <tr> <td></td> <td>12</td> <td>Ø12</td> <td>R04</td> <td>R1/2</td> </tr> </tbody> </table>	FITTING FOR WATER APPLICATION	TUBE DIA		THREAD SIZE		CODE	SIZE	R(PT)	THREAD		04	Ø4	CODE	SIZE		06	Ø6	R01	R1/8		08	Ø8	R02	R1/4		10	Ø10	R03	R3/8		12	Ø12	R04	R1/2	<p>METRIC - BSPP(G)</p> <p>HPC 04 - G01</p> <table border="1"> <thead> <tr> <th rowspan="2">FITTING FOR WATER APPLICATION</th> <th colspan="2">TUBE DIA</th> <th colspan="2">THREAD SIZE</th> </tr> <tr> <th>CODE</th> <th>SIZE</th> <th>G(PF)</th> <th>THREAD</th> </tr> </thead> <tbody> <tr> <td></td> <td>04</td> <td>Ø4</td> <td>CODE</td> <td>SIZE</td> </tr> <tr> <td></td> <td>05</td> <td>Ø5</td> <td>G01</td> <td>G1/8</td> </tr> <tr> <td></td> <td>06</td> <td>Ø6</td> <td>G02</td> <td>G1/4</td> </tr> <tr> <td></td> <td>08</td> <td>Ø8</td> <td>G03</td> <td>G3/8</td> </tr> <tr> <td></td> <td>10</td> <td>Ø10</td> <td>G04</td> <td>G1/2</td> </tr> <tr> <td></td> <td>12</td> <td>Ø12</td> <td>G05</td> <td>G5/8</td> </tr> <tr> <td></td> <td>15</td> <td>Ø15</td> <td>G06</td> <td>G3/4</td> </tr> <tr> <td></td> <td>22</td> <td>Ø22</td> <td></td> <td></td> </tr> </tbody> </table>	FITTING FOR WATER APPLICATION	TUBE DIA		THREAD SIZE		CODE	SIZE	G(PF)	THREAD		04	Ø4	CODE	SIZE		05	Ø5	G01	G1/8		06	Ø6	G02	G1/4		08	Ø8	G03	G3/8		10	Ø10	G04	G1/2		12	Ø12	G05	G5/8		15	Ø15	G06	G3/4		22	Ø22			<p>INCH - NPT</p> <p>HPC 5/32 - N01</p> <table border="1"> <thead> <tr> <th rowspan="2">FITTING FOR WATER APPLICATION</th> <th colspan="2">TUBE DIA</th> <th colspan="2">THREAD SIZE</th> </tr> <tr> <th>CODE</th> <th>SIZE</th> <th>NPT</th> <th>THREAD</th> </tr> </thead> <tbody> <tr> <td></td> <td>5/32</td> <td>Ø5/32</td> <td>CODE</td> <td>SIZE</td> </tr> <tr> <td></td> <td>3/16</td> <td>Ø3/16</td> <td>N01</td> <td>NPT1/8</td> </tr> <tr> <td></td> <td>1/4</td> <td>Ø1/4</td> <td>N02</td> <td>NPT1/4</td> </tr> <tr> <td></td> <td>5/16</td> <td>Ø5/16</td> <td>N03</td> <td>NPT3/8</td> </tr> <tr> <td></td> <td>3/8</td> <td>Ø3/8</td> <td>N04</td> <td>NPT1/2</td> </tr> <tr> <td></td> <td>1/2</td> <td>Ø1/2</td> <td></td> <td></td> </tr> </tbody> </table>	FITTING FOR WATER APPLICATION	TUBE DIA		THREAD SIZE		CODE	SIZE	NPT	THREAD		5/32	Ø5/32	CODE	SIZE		3/16	Ø3/16	N01	NPT1/8		1/4	Ø1/4	N02	NPT1/4		5/16	Ø5/16	N03	NPT3/8		3/8	Ø3/8	N04	NPT1/2		1/2	Ø1/2		
FITTING FOR WATER APPLICATION		TUBE DIA		THREAD SIZE																																																																																																																								
	CODE	SIZE	R(PT)	THREAD																																																																																																																								
	04	Ø4	CODE	SIZE																																																																																																																								
	06	Ø6	R01	R1/8																																																																																																																								
	08	Ø8	R02	R1/4																																																																																																																								
	10	Ø10	R03	R3/8																																																																																																																								
	12	Ø12	R04	R1/2																																																																																																																								
FITTING FOR WATER APPLICATION	TUBE DIA		THREAD SIZE																																																																																																																									
	CODE	SIZE	G(PF)	THREAD																																																																																																																								
	04	Ø4	CODE	SIZE																																																																																																																								
	05	Ø5	G01	G1/8																																																																																																																								
	06	Ø6	G02	G1/4																																																																																																																								
	08	Ø8	G03	G3/8																																																																																																																								
	10	Ø10	G04	G1/2																																																																																																																								
	12	Ø12	G05	G5/8																																																																																																																								
	15	Ø15	G06	G3/4																																																																																																																								
	22	Ø22																																																																																																																										
FITTING FOR WATER APPLICATION	TUBE DIA		THREAD SIZE																																																																																																																									
	CODE	SIZE	NPT	THREAD																																																																																																																								
	5/32	Ø5/32	CODE	SIZE																																																																																																																								
	3/16	Ø3/16	N01	NPT1/8																																																																																																																								
	1/4	Ø1/4	N02	NPT1/4																																																																																																																								
	5/16	Ø5/16	N03	NPT3/8																																																																																																																								
	3/8	Ø3/8	N04	NPT1/2																																																																																																																								
	1/2	Ø1/2																																																																																																																										

Caution

- Intended Use:** Use for water, food, and beverage applications only. Contact us for other chemicals or media.
- No Modification:** Do not disassemble or modify products. This voids the warranty and may cause leaks or failure.
- Stress Avoidance:** Prevent excessive stress from rotation, twisting, or shock to avoid product damage.
- Temperature Limit:** Do not exceed 80°C. Higher temperatures may cause malfunction or failure.
- Proper Sealing:** Use Teflon tape only for threaded fittings. Do not use pipe glue or liquid sealants.
- Pressure Safety:** Never pull tubing or press the collet while the line is pressurized.
- Locking Clips:** Always use locking clips to prevent unintended separation.
- Torque Spec:** Follow recommended torque data. Over-torquing may cause damage or leaks.
- Disassembly:** Verify that line pressure is completely removed before disconnecting tubes.
- Product Notice:** Specifications may change without notice for improvement; actual products may vary from images.

Fluidfit

POM Series

Polyoxymethylene

- Fittings
- Valves
- Filter Strainers
- Steelfit
- Cartridges
- Accessories

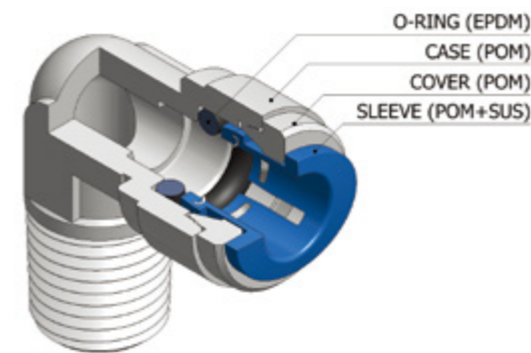


POM Fittings

Metric Fittings / Inch Fittings / Swivel Fittings / Large Fittings

Technical information

Structural Diagram



Applications

- Versatile performance for water, food, and air, with specialized compatibility for gases, vacuum, and liquids
- Fluidfit products are made of NSF approved non-toxic materials
- Various uses depending on the user's environment and application

Features

- One-touch type enabling easy to attach and detach, safe use
- Cork-type allowing excellent sealing function and high durability against leakage
- Food and beverage fittings with oval sleeves

Color Codes

BK Black **GY** Gray **WT** White

Specifications

- **Material** : POM, SUS301, EPDM
- **Temperature Range** : -20 °C ~ 98 °C
- **Operating Pressure** : Refer to the table below
- **Applicable Fluids** : Water, Food & Beverage

Φ	°C	-20°C	1°C	70°C	98°C
4mm ~ 8mm (5/32" ~ 5/16")		8 Bar (With dry air only)	20 Bar	16 Bar	10 Bar
10mm (3/8")	16 Bar		14 Bar	10 Bar	
12mm ~ 22mm (1/2" ~ 5/8")	14 Bar		8 Bar	6 Bar	

- ⚠ Caution**
- Certified Temp: 0°C ~ 65°C (NSF Standard) [Warranty valid only within this range]
 - Ambient Temperature Exposure: Up to 98°C [Fluid temp must remain below 65°C]
 - Operational Limits: Use beyond specified limits may cause damage; Manufacturer is not liable for misuse.
 - Inquiries: Contact us for any non-standard application.

POM FITTINGS

Metric Fittings BK WT



Male Connector
HPC

PART NO.	TUBE (Metric)	THREAD (R)	Qty/Box
HPC 04R01	04	R1/8	100
HPC 06R01	06	R1/8	100
HPC 06R02	06	R1/4	100
HPC 06R03	06	R3/8	50
HPC 06R04	06	R1/2	50
HPC 08R01	08	R1/8	100
HPC 08R02	08	R1/4	50
HPC 08R03	08	R3/8	50
HPC 08R04	08	R1/2	50
HPC 10R02	10	R1/4	50
HPC 10R03	10	R3/8	50
HPC 10R04	10	R1/2	50
HPC 12R03	12	R3/8	50
HPC 12R04	12	R1/2	50

PART NO.	TUBE (Metric)	THREAD (NPT)	Qty/Box
HPC 06-N03	06	NPT3/8	50
HPC 12-N04	12	NPT1/2	50



Male Connector
HPC-G

PART NO.	TUBE (Metric)	THREAD (G)	Qty/Box
HPC 04G01	04	G1/8	100
HPC 04G02	04	G1/4	100
HPC 06G01	06	G1/8	100
HPC 06G02	06	G1/4	100
HPC 08G01	08	G1/8	100
HPC 08G02	08	G1/4	50
HPC 08G03	08	G3/8	50
HPC 08G04	08	G1/2	50
HPC 10G02	10	G1/4	50
HPC 10G03	10	G3/8	50
HPC 10G04	10	G1/2	25
HPC 12G03	12	G3/8	25
HPC 12G04	12	G1/2	25



Female Adapter
HCF-G

PART NO.	TUBE (Metric)	THREAD (G)	Qty/Box
HCF 04G01	04	G1/8	50
HCF 06G01	06	G1/8	50
HCF 06G02	06	G1/4	50
HCF 06G03	06	G3/8	50
HCF 06G06	06	G3/4	20
HCF 08G01	08	G1/8	50
HCF 08G02	08	G1/4	50
HCF 08G03	08	G3/8	50
HCF 08G04	08	G1/2	25
HCF 08G05	10	G5/8	25
HCF 08G06	08	G3/4	20
HCF 10G02	10	G1/4	50
HCF 10G03	10	G3/8	25
HCF 10G04	10	G1/2	25
HCF 10G05	10	G5/8	25
HCF 10G06	10	G3/4	20
HCF 12G02	12	G1/4	50
HCF 12G03	12	G3/8	25
HCF 12G04	12	G1/2	25

PART NO.	TUBE (Metric)	THREAD (UNS)	Qty/Box
HCF 06-UNS 7/16-24	06	7/16-24	50
HCF 08-UNS 7/16-24	08	7/16-24	50

PART NO.	TUBE (Metric)	THREAD (UNF)	Qty/Box
HCF 06-UNF 7/16-20	06	7/16-20	50
HCF 08-UNF 7/16-20	08	7/16-20	50
HCF 10-UNF 7/16-20	10	7/16-20	50



Female Adapter
HCF-NH

PART NO.	TUBE (Metric)	THREAD (NH)	Qty/Box
HCF 06-NH06	06	NH 3/4	20
HCF 08-NH06	08	NH 3/4	20
HCF 10-NH06	10	NH 3/4	20

POM | METRIC FITTINGS BK WT



Stem Adapter
HCJ

PART NO.	STEM O.D (Metric)	THREAD (R)	Qty/Box
HCJ 04R01	04	R1/8	100
HCJ 04R02	04	R1/4	100
HCJ 06R01	06	R1/8	100
HCJ 06R02	06	R1/4	100
HCJ 08R01	08	R1/8	100
HCJ 08R02	08	R1/4	50
HCJ 08R03	08	R3/8	50
HCJ 10R02	10	R1/4	50
HCJ 10R03	10	R3/8	50
HCJ 10R04	10	R1/2	25
HCJ 12R03	12	R3/8	50
HCJ 12R04	12	R1/2	25



Stem Adapter
HCJ-G

PART NO.	STEM O.D (Metric)	THREAD (G)	Qty/Box
HCJ 04G01	04	G1/8	100
HCJ 04G02	04	G1/4	100
HCJ 06G01	06	G1/8	100
HCJ 06G02	06	G1/4	100
HCJ 08G01	08	G1/8	100
HCJ 08G02	08	G1/4	50
HCJ 08G03	08	G3/8	50
HCJ 10G02	10	G1/4	50
HCJ 10G03	10	G3/8	50
HCJ 10G04	10	G1/2	25
HCJ 12G03	12	G3/8	50
HCJ 12G04	12	G1/2	25



Male Elbow
HPL

PART NO.	TUBE (Metric)	THREAD (R)	Qty/Box
HPL 04R01	04	R1/8	100
HPL 04R02	04	R1/4	50
HPL 06R01	06	R1/8	100
HPL 06R02	06	R1/4	50
HPL 08R02	08	R1/4	50
HPL 08R03	08	R3/8	50
HPL 10R02	10	R1/4	50
HPL 10R03	10	R3/8	50
HPL 12R02	12	R1/4	25
HPL 12R03	12	R3/8	25
HPL 12R04	12	R1/2	25

PART NO.	TUBE (Metric)	THREAD (NPT)	Qty/Box
HPL 06-N01	06	NPT1/8	100
HPL 06-N02	06	NPT1/4	50
HPL 06-N03	06	NPT3/8	50
HPL 12-N04	12	NPT1/2	50



Stem Elbow
HLJ

PART NO.	STEM O.D (Metric)	TUBE (Metric)	Qty/Box
HLJ 04-04	04	04	100
HLJ 06-06	06	06	100
HLJ 06-08	06	08	100
HLJ 08-08	08	08	50
HLJ 10-06	10	06	50
HLJ 10-08	10	08	50
HLJ 10-10	10	10	50
HLJ 12-12	12	12	25

PART NO.	STEM O.D (Inch)	TUBE (Metric)	Qty/Box
HLJ 1/4-06	1/4	06	100
HLJ 3/8-06	3/8	06	50



Stem Reducer
HGJ

PART NO.	STEM O.D (Metric)	TUBE (Metric)	Qty/Box
HGJ 04-05	04	05	100
HGJ 06-04	06	04	100
HGJ 08-04	08	04	100
HGJ 08-06	08	06	50
HGJ 08-08	08	08	50
HGJ 08-10	08	10	50
HGJ 10-06	10	06	50
HGJ 10-08	10	08	50
HGJ 12-08	12	08	25
HGJ 12-10	12	10	25

PART NO.	STEM O.D (Inch)	TUBE (Metric)	Qty/Box
HGJ 1/4-06	1/4	06	50



Bulkhead Connector
HMM

PART NO.	TUBE (Metric)	TUBE (Metric)	Qty/Box
HMM 04-04	04	04	50
HMM 06-04	06	04	50
HMM 06-06	06	06	50
HMM 08-06	08	06	25
HMM 08-08	08	08	25
HMM 10-10	10	10	25
HMM 12-12	12	12	20

PART NO.	TUBE (Metric)	TUBE (Inch)	Qty/Box
HMM 06-1/4	06	1/4	50



Union Connector
HUC

PART NO.	TUBE (Metric)	TUBE (Metric)	Qty/Box
HUC 0404	04	04	100
HUC 0604	06	04	100
HUC 0605	06	05	100
HUC 0606	06	06	100
HUC 0804	08	04	50
HUC 0806	08	06	50
HUC 0808	08	08	50
HUC 1006	10	06	50
HUC 1008	10	08	50
HUC 1010	10	10	50
HUC 1208	12	08	25
HUC 1210	12	10	25
HUC 1212	12	12	25



Two Way Divider
HUY

PART NO.	TUBE (Metric)	TUBE (Metric)	Qty/Box
HUY 0404	04	04	100
HUY 0606	06	06	50
HUY 0808	08	08	50
HUY 1008	10	08	25
HUY 1010	10	10	25
HUY 1212	12	12	20



Union Elbow
HUL

PART NO.	TUBE (Metric)	TUBE (Metric)	Qty/Box
HUL 0404	04	04	100
HUL 0604	06	04	100
HUL 0606	06	06	100
HUL 0804	08	04	50
HUL 0806	08	06	50
HUL 0808	08	08	50
HUL 1006	10	06	50
HUL 1008	10	08	50
HUL 1010	10	10	50
HUL 1206	12	06	25
HUL 1208	12	08	25
HUL 1210	12	10	25
HUL 1212	12	12	25

PART NO.	TUBE (Inch)	TUBE (Metric)	Qty/Box
HUL 1/4-06	1/4	06	100
HUL 1/2-12	1/2	12	25



Union Tee
HUT

PART NO.	TUBE (Metric)	TUBE (Metric)	Qty/Box
HUT 0404	04	04	100
HUT 0606	06	06	50
HUT 0808	08	08	50
HUT 1010	10	10	25
HUT 1212	12	12	20

PART NO.	TUBE (Metric)	TUBE (Metric)	TUBE (Metric)	Qty/Box
HUT 100608	10	06	08	25
HUT 100610	10	06	10	25
HUT 121012	12	10	12	20



Female Plug
HPF

PART NO.	TUBE (Metric)	Qty/Box
HPF 04	04	100
HPF 06	06	100
HPF 08	08	100
HPF 10	10	100
HPF 12	12	50



Male Plug
HPP

PART NO.	TUBE (Metric)	Qty/Box
HPP 04	04	200
HPP 06	06	200
HPP 08	08	100
HPP 10	10	100
HPP 12	12	100



Stem Adapter
HSJ

PART NO.	STEM O.D (Metric)	TUBE (Metric)	Qty/Box
HSJ 0404	04	04	100
HSJ 0606	06	06	50
HSJ 0808	08	08	50
HSJ 1010	10	10	25
HSJ 1212	12	12	20



Stem Tee
HTJ

PART NO.	STEM O.D (Metric)	TUBE (Metric)	Qty/Box
HTJ 0808	08	08	25



Union Cross
HZA

PART NO.	TUBE (Metric)	TUBE (Metric)	Qty/Box
HZA 0606	06	06	25
HZA 0808	08	08	20
HZA 1010	10	10	20



Offset Connector
HUGL

PART NO.	STEM O.D (Metric)	TUBE (Metric)	Qty/Box
HUGL 1208	12	08	25



Stem Barb Connector
HCJB

PART NO.	STEM O.D (Metric)	TUBE I.D (Metric)	Qty/Box
HCJB 0604	06	04	100
HCJB 0606	06	06	100
HCJB 0806	08	06	100
HCJB 1006	10	06	100
HCJB 1008	10	08	100
HCJB 1010	10	10	100
HCJB 1210	12	10	100



Barb Connector
HCBB

PART NO.	TUBE (Metric)	Stem I.D (Metric)	Qty/Box
HCBB 1210	12	10	25



Stem Barb Elbow Connector
HLJB

PART NO.	STEM O.D (Metric)	TUBE I.D (Metric)	Qty/Box
HLJB 1006	10	06	100
HLJB 1008	10	08	100

POM FITTINGS

Inch Fittings GY



Male Connector
HPC

PART NO.	TUBE (Inch)	THREAD (NPT)	Qty/Box
HPC 5/32-N01	5/32	NPT1/8	100
HPC 5/32-N02	5/32	NPT1/4	100
HPC 3/16-N01	3/16	NPT1/8	100
HPC 3/16-N02	3/16	NPT1/4	100
HPC 1/4-N01	1/4	NPT1/8	100
HPC 1/4-N02	1/4	NPT1/4	100
HPC 1/4-N03	1/4	NPT3/8	50
HPC 1/4-N04	1/4	NPT1/2	50
HPC 5/16-N01	5/16	NPT1/8	50
HPC 5/16-N02	5/16	NPT1/4	50
HPC 5/16-N03	5/16	NPT3/8	50
HPC 5/16-N04	5/16	NPT1/2	50
HPC 3/8-N01	3/8	NPT1/8	50
HPC 3/8-N02	3/8	NPT1/4	50
HPC 3/8-N03	3/8	NPT3/8	50
HPC 3/8-N04	3/8	NPT1/2	50
HPC 1/2-N03	1/2	NPT3/8	50
HPC 1/2-N04	1/2	NPT1/2	25
HPC 5/8-N04	5/8	NPT1/2	20

PART NO.	TUBE (Inch)	THREAD (R)	Qty/Box
HPC 1/4-R01	1/4	R1/8	100
HPC 1/4-R02	1/4	R1/4	100
HPC 1/4-R03	1/4	R3/8	50
HPC 3/8-R02	3/8	R1/4	50
HPC 3/8-R03	3/8	R3/8	50
HPC 1/2-R03	1/2	R3/8	50
HPC 1/2-R04	1/2	R1/2	25



Male Connector
HPC-G

PART NO.	TUBE (Inch)	THREAD (G)	Qty/Box
HPC 3/16-G01	3/16	G1/8	100
HPC 1/4-G01	1/4	G1/8	100
HPC 1/4-G02	1/4	G1/4	100
HPC 5/16-G01	5/16	G1/8	100
HPC 5/16-G02	5/16	G1/4	50
HPC 5/16-G03	5/16	G3/8	50
HPC 3/8-G01	3/8	G1/8	50
HPC 3/8-G02	3/8	G1/4	50
HPC 3/8-G03	3/8	G3/8	50
HPC 3/8-G04	3/8	G1/2	25
HPC 1/2-G03	1/2	G3/8	25
HPC 1/2-G04	1/2	G1/2	25



Male Connector
HPC-MFL

PART NO.	TUBE (Inch)	THREAD (MFL)	Qty/Box
HPC 3/8-MFL02	3/8	MFL1/4	50

*MFL02 Corresponds to a UNF 7/16-20



Female Adapter
HCF

PART NO.	TUBE (Inch)	THREAD (NPT)	Qty/Box
HCF 1/4-N01	1/4	NPT1/8	50
HCF 1/4-N02	1/4	NPT1/4	50
HCF 5/16-N02	5/16	NPT1/4	50
HCF 3/8-N02	3/8	NPT1/4	50

PART NO.	TUBE (Inch)	THREAD (G)	Qty/Box
HCF 1/4-G03	1/4	G3/8	50
HCF 1/4-G04	1/4	G1/2	25
HCF 5/16-G04H	5/16	G1/2	50
HCF 5/16-G05H	5/16	G5/8	25
HCF 3/8-G03	3/8	G3/8	25
HCF 3/8-G04	3/8	G1/2	25
HCF 3/8-G04H	3/8	G1/2	25
HCF 3/8-G05	3/8	G5/8	25
HCF 3/8-G05H	3/8	G5/8	25
HCF 1/2-G04	1/2	G1/2	25

PART NO.	TUBE (Inch)	THREAD (UNF)	Qty/Box
HCF 1/4-UNF7/16-20	1/4	7/16-20	50
HCF 5/16-UNF7/16-20	5/16	7/16-20	50
HCF 3/8-UNF7/16-20	3/8	7/16-20	50

PART NO.	TUBE (Inch)	THREAD (UN)	Qty/Box
HCF 3/8-UN1/2-16	3/8	1/2-16	50
HCF 1/2-UN1/2-16	1/2	1/2-16	25

PART NO.	TUBE (Inch)	THREAD (UNS)	Qty/Box
HCF 1/4-UNS7/16-24	1/4	7/16-24	50
HCF 5/16-UNS7/16-24	5/16	7/16-24	50
HCF 3/8-UNS7/16-24	3/8	7/16-24	50



Female Adapter
HCF-NH

PART NO.	TUBE (Inch)	THREAD (NH)	Qty/Box
HCF 1/4-NH06	1/4	NH3/4	20
HCF 5/16-NH06	5/16	NH3/4	20
HCF 3/8-NH06	3/8	NH3/4	20



Female Adapter
HCF-G

PART NO.	TUBE (Inch)	THREAD (G)	Qty/Box
HCF 1/4-G06	1/4	G3/4	20
HCF 3/8-G06	3/8	G3/4	20
HCF 1/2-G06	1/2	G3/4	20



Stem Adapter
HCJ

PART NO.	TUBE (Inch)	THREAD (NPT)	Qty/Box
HCJ 5/32-N01	5/32	NPT1/8	100
HCJ 5/32-N02	5/32	NPT1/4	100
HCJ 3/16-N01	3/16	NPT1/8	100
HCJ 1/4-N01	1/4	NPT1/8	100
HCJ 1/4-N02	1/4	NPT1/4	100
HCJ 5/16-N01	5/16	NPT1/8	100
HCJ 5/16-N02	5/16	NPT1/4	50
HCJ 5/16-N03	5/16	NPT3/8	50
HCJ 3/8-N02	3/8	NPT1/4	50
HCJ 3/8-N03	3/8	NPT3/8	50
HCJ 1/2-N03	1/2	NPT3/8	50
HCJ 1/2-N04	1/2	NPT1/2	25

PART NO.	STEM O.D (Inch)	THREAD (G)	Qty/Box
HCJ 3/8-G06H	3/8	G3/4	100

PART NO.	STEM O.D (Inch)	THREAD (R)	Qty/Box
HCJ 1/4-R01	1/4	R1/8	100
HCJ 1/2-R02	1/2	R1/4	50
HCJ 1/2-R03	1/2	R3/8	25



Male Elbow
HPL

PART NO.	TUBE (Inch)	THREAD (NPT)	Qty/Box
HPL 5/32-N01	5/32	NPT1/8	100
HPL 3/16-N01	3/16	NPT1/8	100
HPL 1/4-N01	1/4	NPT1/8	100
HPL 1/4-N02	1/4	NPT1/4	50
HPL 1/4-N03	1/4	NPT3/8	50
HPL 5/16-N02	5/16	NPT1/4	50
HPL 5/16-N03	5/16	NPT3/8	50
HPL 3/8-N02	3/8	NPT1/4	50
HPL 3/8-N03	3/8	NPT3/8	50
HPL 1/2-N03	1/2	NPT3/8	25
HPL 1/2-N04	1/2	NPT1/2	25
HPL 5/8-N04	5/8	NPT1/2	20

PART NO.	TUBE (Inch)	THREAD (R)	Qty/Box
HPL 3/8-R03	3/8	R3/8	50



Stem Elbow
HLJ

PART NO.	STEM O.D (Inch)	TUBE (Inch)	Qty/Box
HLJ 5/32-5/32	5/32	5/32	100
HLJ 3/16-3/16	3/16	3/16	100
HLJ 1/4-1/4	1/4	1/4	100
HLJ 1/4-5/16	1/4	5/16	50
HLJ 5/16-5/16	5/16	5/16	50
HLJ 3/8-1/4	3/8	1/4	50
HLJ 3/8-5/16	3/8	5/16	50
HLJ 3/8-3/8	3/8	3/8	50
HLJ 1/2-1/2	1/2	1/2	25

PART NO.	STEM O.D (Inch)	TUBE (Metric)	Qty/Box
HLJ 1/4-06	1/4	06	100
HLJ 3/8-06	3/8	06	50



Stem Reducer
HGJ

PART NO.	STEM O.D (Inch)	TUBE (Inch)	Qty/Box
HGJ 1/4-5/32	1/4	5/32	100
HGJ 5/16-1/4	5/16	1/4	100
HGJ 5/16-3/8	5/16	3/8	50
HGJ 5/16-5/16	5/16	5/16	50
HGJ 3/8-3/16	3/8	3/16	50
HGJ 3/8-1/4	3/8	1/4	50
HGJ 3/8-5/16	3/8	5/16	50
HGJ 3/8-1/2	3/8	1/2	50
HGJ 1/2-5/16	1/2	5/16	50
HGJ 1/2-3/8	1/2	3/8	50
HGJ 1/2-15	1/2	15	20

PART NO.	STEM O.D (Inch)	TUBE (Metric)	Qty/Box
HGJ 1/4-06	1/4	06	100



Bulkhead Connector
HMM

PART NO.	TUBE (Inch)	TUBE (Inch)	Qty/Box
HMM 5/32-5/32	5/32	5/32	50
HMM 1/4-1/4	1/4	1/4	50
HMM 1/4-3/8	1/4	3/8	25
HMM 5/16-5/16	5/16	5/16	25
HMM 3/8-3/8	3/8	3/8	25
HMM 1/2-1/2	1/2	1/2	20

PART NO.	TUBE (Inch)	TUBE (Metric)	Qty/Box
HMM 1/4-06	1/4	06	50



Union Connector
HUC

PART NO.	TUBE (Inch)	TUBE (Inch)	Qty/Box
HUC 5/32-5/32	5/32	5/32	100
HUC 3/16-3/16	3/16	3/16	100
HUC 1/4-1/4	1/4	1/4	100
HUC 5/16-5/32	5/16	5/32	50
HUC 5/16-1/4	5/16	1/4	50
HUC 5/16-5/16	5/16	5/16	50
HUC 3/8-3/16	3/8	3/16	50
HUC 3/8-1/4	3/8	1/4	50
HUC 3/8-5/16	3/8	5/16	50
HUC 3/8-3/8	3/8	3/8	50
HUC 1/2-5/16	1/2	5/16	25
HUC 1/2-3/8	1/2	3/8	25
HUC 1/2-1/2	1/2	1/2	25
HUC 5/8-1/2	5/8	1/2	20

PART NO.	TUBE (Inch)	TUBE (Metric)	Qty/Box
HUC 1/4-06	1/4	06	100



Union Tee
HUT

PART NO.	TUBE (Inch)	TUBE (Inch)	Qty/Box
HUT 5/32-5/32	5/32	5/32	100
HUT 3/16-3/16	3/16	3/16	50
HUT 1/4-1/4	1/4	1/4	50
HUT 5/16-5/16	5/16	5/16	50
HUT 3/8-3/8	3/8	3/8	25
HUT 1/2-1/2	1/2	1/2	20

PART NO.	TUBE (Inch)	TUBE (Inch)	TUBE (Inch)	Qty/Box
HUT 3/8-1/4-3/8	3/8	1/4	3/8	25
HUT 1/2-3/8-1/2	1/2	3/8	1/2	25

PART NO.	TUBE (Inch)	TUBE (Metric)	TUBE (Inch)	Qty/Box
HUT 3/8-10-3/8	3/8	10	3/8	25
HUT 3/8-08-3/8	3/8	08	3/8	25



Union Elbow
HUL

PART NO.	TUBE (Inch)	TUBE (Inch)	Qty/Box
HUL 5/32-5/32	5/32	5/32	100
HUL 3/16-3/16	3/16	3/16	100
HUL 1/4-1/4	1/4	1/4	100
HUL 5/16-5/32	5/16	5/32	50
HUL 5/16-1/4	5/16	1/4	50
HUL 5/16-5/16	5/16	5/16	50
HUL 3/8-1/4	3/8	1/4	50
HUL 3/8-5/16	3/8	5/16	50
HUL 3/8-3/8	3/8	3/8	50
HUL 1/2-5/16	1/2	5/16	25
HUL 1/2-3/8	1/2	3/8	25
HUL 1/2-1/2	1/2	1/2	25
HUL 5/8-1/2	5/8	1/2	20
HUL 5/8-5/8	5/8	5/8	20

PART NO.	TUBE (Inch)	TUBE (Metric)	Qty/Box
HUL 1/4-06	1/4	06	100
HUL 1/2-12	1/2	12	25



Two Way Divider
HUY

PART NO.	TUBE (Inch)	TUBE (Inch)	Qty/Box
HUY 5/32-5/32	5/32	5/32	100
HUY 3/16-3/16	3/16	3/16	50
HUY 1/4-1/4	1/4	1/4	50
HUY 5/16-5/16	5/16	5/16	50
HUY 3/8-1/4	3/8	1/4	25
HUY 3/8-3/8	3/8	3/8	25
HUY 1/2-1/2	1/2	1/2	20



Female Plug
HPF

PART NO.	TUBE (Inch)	Qty/Box
HPF 5/32	5/32	100
HPF 3/16	3/16	100
HPF 1/4	1/4	100
HPF 5/16	5/16	100
HPF 3/8	3/8	100
HPF 1/2	1/2	50



Branch Stem Tee
HTJ

PART NO.	STEM O.D (Inch)	TUBE (Inch)	Qty/Box
HTJ 1/4-1/4	1/4	1/4	50
HTJ 5/16-5/16	5/16	5/16	25
HTJ 3/8-3/8	3/8	3/8	25



Male Plug
HPP

PART NO.	STEM O.D (Inch)	Qty/Box
HPP 5/32	5/32	200
HPP 3/16	3/16	200
HPP 1/4	1/4	200
HPP 5/16	5/16	100
HPP 3/8	3/8	100
HPP 1/2	1/2	100



Run Stem Tee
HSJ

PART NO.	STEM O.D (Inch)	TUBE (Inch)	Qty/Box
HSJ 5/32-5/32	5/32	5/32	100
HSJ 1/4-1/4	1/4	1/4	50
HSJ 5/16-5/16	5/16	5/16	50
HSJ 3/8-3/8	3/8	3/8	25
HSJ 1/2-1/2	1/2	1/2	20

PART NO.	STEM O.D (Inch)	TUBE (Inch)	TUBE (Inch)	Qty/Box
HSJ 1/2-3/8-1/2	1/2	3/8	1/2	20



Union Cross
HZA

PART NO.	TUBE (Inch)	TUBE (Inch)	Qty/Box
HZA 1/4-1/4	1/4	1/4	50
HZA 5/16-5/16	5/16	5/16	20
HZA 3/8-3/8	3/8	3/8	20



Cooling Mainfold
HUTT

PART NO.	TUBE (Metric)	TUBE (Inch)	TUBE (Metric)	Qty/Bag
HUTT 15-3/8-15	15	3/8	15	20

*Bulk packaging

PART NO.	TUBE (Inch)	TUBE (Inch)	TUBE (Inch)	Qty/Bag
HUTT 1/2-3/8-1/2	1/2	3/8	1/2	20

*Bulk packaging



F/F Reducer
HUFF

PART NO.	THREAD(G)	THREAD(G)	Qty/Bag
HUFF G02-G06	G1/4	G3/4	100
HUFF G03-G06	G3/8	G3/4	100

*Bulk packaging



Stem Barb Connector
HCJB

PART NO.	STEM O.D (Inch)	TUBE I.D (Inch)	Qty/Box
HCJB 1/4-3/16	1/4	3/16	100
HCJB 1/4-1/4	1/4	1/4	100
HCJB 1/4-5/16	1/4	5/16	100
HCJB 5/16-3/16	5/16	3/16	100
HCJB 5/16-5/16	5/16	5/16	100
HCJB 5/16-3/8	5/16	3/8	100
HCJB 3/8-1/4	3/8	1/4	100
HCJB 3/8-5/16	3/8	5/16	100
HCJB 3/8-3/8	3/8	3/8	100
HCJB 3/8-1/2	3/8	1/2	50
HCJB 1/2-3/8	1/2	3/8	50
HCJB 1/2-1/2	1/2	1/2	50



Stem Barb Elbow Connector
HLJB

PART NO.	STEM O.D (Inch)	TUBE I.D (Inch)	Qty/Box
HLJB 1/4-5/16	1/4	5/16	100
HLJB 5/16-1/4	5/16	1/4	100
HLJB 3/8-5/16	3/8	5/16	100
HLJB 3/8-1/4	3/8	1/4	100
HLJB 3/8-3/8	3/8	3/8	100



U-Band
HBU

PART NO.	TUBE (Inch)	TUBE (Inch)	Qty/Box
HBU 3/8-3/8	3/8	3/8	25
HBU 1/2-1/2	1/2	1/2	20



Stem U-Bend
HBUJ

PART NO.	TUBE (Inch)	Qty/Box
HBUJ 3/8	3/8	15



Three Way Divider
HTWD

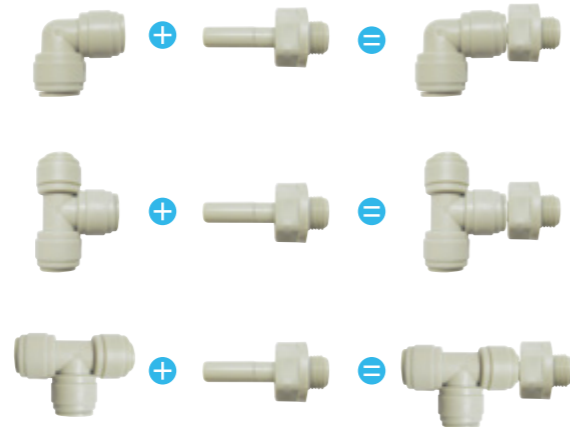
PART NO.	TUBE (Inch)	TUBE (Inch)	Qty/Box
HTWD 1/2-3/8	1/2	3/8	20
HTWD 1/2-1/2	1/2	1/2	20

*Bulk packaging

POM FITTINGS

Swivel Type Fittings BK GY

Adaptability



POM | SWIVEL TYPE FITTINGS | METRIC BK



Swivel Male Elbow

HRPL

PART NO.	TUBE (Metric)	THREAD (R)	Qty/Box
HRPL 04R01	04	R1/8	50
HRPL 04R02	04	R1/4	50
HRPL 06R01	06	R1/8	50
HRPL 06R02	06	R1/4	50
HRPL 08R01	08	R1/8	25
HRPL 08R02	08	R1/4	25
HRPL 08R03	08	R3/8	25
HRPL 10R02	10	R1/4	25
HRPL 10R03	10	R3/8	25
HRPL 10R04	10	R1/2	20
HRPL 12R03	12	R3/8	20
HRPL 12R04	12	R1/2	20



Swivel Male Elbow

HRPL-G

PART NO.	TUBE (Metric)	THREAD (G)	Qty/Box
HRPL 04G01	04	G1/8	50
HRPL 04G02	04	G1/4	50
HRPL 06G01	06	G1/8	50
HRPL 06G02	06	G1/4	50
HRPL 08G01	08	G1/8	25
HRPL 08G02	08	G1/4	25
HRPL 08G03	08	G3/8	25
HRPL 10G02	08	G1/4	25
HRPL 10G03	10	G3/8	25
HRPL 10G04	10	G1/2	20
HRPL 12G03	12	G3/8	20
HRPL 12G04	12	G1/2	20



Swivel Male Y

HRWT

PART NO.	TUBE (Metric)	THREAD (R)	Qty/Box
HRWT 04R01	04	R1/8	50
HRWT 04R02	04	R1/4	50
HRWT 06R01	06	R1/8	50
HRWT 06R02	06	R1/4	25
HRWT 08R01	08	R1/8	25
HRWT 08R02	08	R1/4	25
HRWT 08R03	08	R3/8	25
HRWT 10R02	10	R1/4	25
HRWT 10R03	10	R3/8	25
HRWT 10R04	10	R1/2	20
HRWT 12R03	12	R3/8	15
HRWT 12R04	12	R1/2	12



Swivel Male Y

HRWT-G

PART NO.	TUBE (Metric)	THREAD (G)	Qty/Box
HRWT 04G01	04	G1/8	50
HRWT 04G02	04	G1/4	50
HRWT 06G01	06	G1/8	50
HRWT 06G02	06	G1/4	25
HRWT 08G01	08	G1/8	25
HRWT 08G02	08	G1/4	25
HRWT 08G03	08	G3/8	25
HRWT 10G02	10	G1/4	25
HRWT 10G03	10	G3/8	25
HRWT 10G04	10	G1/2	20
HRWT 12G03	12	G3/8	15
HRWT 12G04	12	G1/2	12

POM | SWIVEL TYPE FITTINGS | METRIC BK



Swivel Male Run Tee

HRST

PART NO.	TUBE (Metric)	THREAD (R)	Qty/Box
HRST 04R01	04	R1/8	50
HRST 04R02	04	R1/4	50
HRST 06R01	06	R1/8	50
HRST 06R02	06	R1/4	25
HRST 08R01	08	R1/8	25
HRST 08R02	08	R1/4	25
HRST 08R03	08	R3/8	25
HRST 10R02	10	R1/4	25
HRST 10R03	10	R3/8	20
HRST 10R04	10	R1/2	20
HRST 12R03	12	R3/8	15
HRST 12R04	12	R1/2	12



Swivel Male Run Tee

HRST-G

PART NO.	TUBE (Metric)	THREAD (G)	Qty/Box
HRST 04G01	04	G1/8	50
HRST 04G02	04	G1/4	50
HRST 06G01	06	G1/8	50
HRST 06G02	06	G1/4	25
HRST 08G01	08	G1/8	25
HRST 08G02	08	G1/4	25
HRST 08G03	08	G3/8	25
HRST 10G02	10	G1/4	25
HRST 10G03	10	G3/8	20
HRST 10G04	10	G1/2	20
HRST 12G03	12	G3/8	15
HRST 12G04	12	G1/2	12



Swivel Male Branch Tee

HRPT

PART NO.	TUBE (Metric)	THREAD (R)	Qty/Box
HRPT 04R01	04	R1/8	50
HRPT 04R02	04	R1/4	50
HRPT 06R01	06	R1/8	50
HRPT 06R02	06	R1/4	25
HRPT 08R01	08	R1/8	25
HRPT 08R02	08	R1/4	25
HRPT 08R03	08	R3/8	25
HRPT 10R02	10	R1/4	25
HRPT 10R03	10	R3/8	20
HRPT 10R04	10	R1/2	20
HRPT 12R03	12	R3/8	15
HRPT 12R04	12	R1/2	12



Swivel Male Branch Tee

HRPT-G

PART NO.	TUBE (Metric)	THREAD (G)	Qty/Box
HRPT 04G01	04	G1/8	50
HRPT 04G02	04	G1/4	50
HRPT 06G01	06	G1/8	50
HRPT 06G02	06	G1/4	25
HRPT 08G01	08	G1/8	25
HRPT 08G02	08	G1/4	25
HRPT 08G03	08	G3/8	25
HRPT 10G02	08	G1/4	25
HRPT 10G03	10	G3/8	20
HRPT 10G04	10	G1/2	20
HRPT 12G03	12	G3/8	15
HRPT 12G04	12	G1/2	12

POM | SWIVEL TYPE FITTINGS | INCH ^{GY}



Swivel Male Elbow
HRPL

PART NO.	TUBE (Inch)	THREAD (NPT)	Qty/Box
HRPL 5/32-N01	5/32	NPT1/8	50
HRPL 5/32-N02	5/32	NPT1/4	50
HRPL 1/4-N01	1/4	NPT1/8	50
HRPL 1/4-N02	1/4	NPT1/4	50
HRPL 5/16-N01	5/16	NPT1/8	25
HRPL 5/16-N02	5/16	NPT1/4	25
HRPL 5/16-N03	5/16	NPT3/8	25
HRPL 3/8-N02	3/8	NPT1/4	25
HRPL 3/8-N03	3/8	NPT3/8	25
HRPL 1/2-N03	1/2	NPT3/8	20
HRPL 1/2-N04	1/2	NPT1/2	20



Swivel Male Run Tee
HRST

PART NO.	TUBE (Inch)	THREAD (NPT)	Qty/Box
HRST 5/32-N01	5/32	NPT1/8	50
HRST 5/32-N02	5/32	NPT1/4	50
HRST 1/4-N01	1/4	NPT1/8	50
HRST 1/4-N02	1/4	NPT1/4	25
HRST 5/16-N01	5/16	NPT1/8	25
HRST 5/16-N02	5/16	NPT1/4	25
HRST 5/16-N03	5/16	NPT3/8	25
HRST 3/8-N02	3/8	NPT1/4	25
HRST 3/8-N03	3/8	NPT3/8	20
HRST 1/2-N03	1/2	NPT3/8	15
HRST 1/2-N04	1/2	NPT1/2	12



Swivel Male Branch Tee
HRPT

PART NO.	TUBE (Inch)	THREAD (NPT)	Qty/Box
HRPT 5/32-N01	5/32	NPT1/8	50
HRPT 5/32-N02	5/32	NPT1/4	50
HRPT 1/4-N01	1/4	NPT1/8	50
HRPT 1/4-N02	1/4	NPT1/4	25
HRPT 5/16-N01	5/16	NPT1/8	25
HRPT 5/16-N02	5/16	NPT1/4	25
HRPT 5/16-N03	5/16	NPT3/8	25
HRPT 3/8-N02	3/8	NPT1/4	25
HRPT 3/8-N03	3/8	NPT3/8	20
HRPT 1/2-N03	1/2	NPT3/8	15
HRPT 1/2-N04	1/2	NPT1/2	12



Swivel Male Y
HRWT

PART NO.	TUBE (Inch)	THREAD (NPT)	Qty/Box
HRWT 5/32-N01	5/32	NPT1/8	50
HRWT 5/32-N02	5/32	NPT1/4	50
HRWT 1/4-N01	1/4	NPT1/8	50
HRWT 1/4-N02	1/4	NPT1/4	25
HRWT 5/16-N01	5/16	NPT1/8	25
HRWT 5/16-N02	5/16	NPT1/4	25
HRWT 5/16-N03	5/16	NPT3/8	25
HRWT 3/8-N02	3/8	NPT1/4	25
HRWT 3/8-N03	3/8	NPT3/8	25
HRWT 1/2-N03	1/2	NPT3/8	15
HRWT 1/2-N04	1/2	NPT1/2	12

POM FITTINGS

Large Size Fittings ^{BK}



Male Connector
HPC-G

PART NO.	TUBE (Metric)	THREAD (G)	Qty/Bag
HPC 15G04	15	G1/2	20
HPC 15G06	15	G3/4	20
HPC 22G06	22	G3/4	20



Female Adapter
HCF-G

PART NO.	TUBE (Metric)	THREAD (G)	Qty/Bag
HCF 15G04	15	G04	25
HCF 15G06	15	G06	20



Stem Adapter
HCJ-G

PART NO.	STEM O.D (Metric)	THREAD (G)	Qty/Bag
HCJ 15G03	15	G3/8	25
HCJ 15G04	15	G1/2	25
HCJ 22G04	22	G1/2	20
HCJ 22G06	22	G3/4	20



Stem Elbow
HLJ

PART NO.	STEM O.D (Metric)	TUBE (Metric)	Qty/Bag
HLJ 1515	15	15	20
HLJ 2222	22	22	20



Union Connector
HUC

PART NO.	TUBE (Metric)	TUBE (Metric)	Qty/Bag
HUC 1515	15	15	20
HUC 2222	22	22	9



Stem Adapter
HGJ

PART NO.	STEM O.D (Metric)	TUBE (Metric)	Qty/Bag
HGJ 15-10	15	10	25
HGJ 15-12	15	12	25
HGJ 22-15	22	15	20



Union Elbow
HUL

PART NO.	TUBE (Metric)	TUBE (Metric)	Qty/Bag
HUL 1515	15	15	20
HUL 2222	22	22	9



Union Tee
HUT

PART NO.	TUBE (Metric)	TUBE (Metric)	Qty/Bag
HUT 151515	15	15	9
HUT 221222	22	12	6
HUT 221522	22	15	6
HUT 222222	22	22	6



Male Plug
HPP

PART NO.	STEM O.D (Metric)	Qty/Box
HPP 15	15	50
HPP 22	22	25



Barb Connector
HCBB

PART NO.	TUBE (Metric)	STEM I.D (Inch)	Qty/Bag
HCBB 15-1/2	15	1/2	20
HCBB 22-1/2	22	1/2	20
HCBB 22-3/4	22	3/4	20



Female Plug
HPF

PART NO.	TUBE (Metric)	Qty/Bag
HPF 15	15	50
HPF 22	22	20

POM
PPSU
PE
SUS316L / PVDF

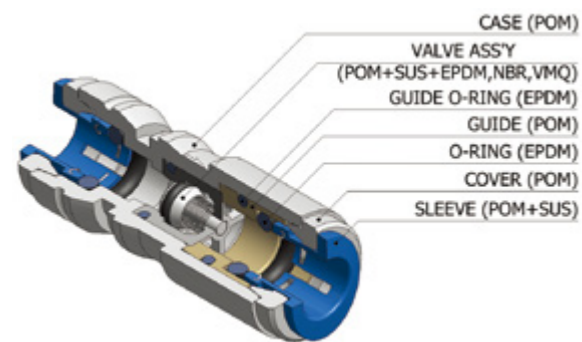
POM VALVES

Single Check Valves

NON-RETURN VALVE

Technical information

Structural Diagram



Applications

- This Valve allows one way fluid flow and blocks the reverse flow

Features

- Compact size and convenient to use in a narrow space
- Cracking Pressure 0.02 ~ 0.04 bar
- Quick Installation and easy maintenance

Specifications

- **Material** : POM, SUS301, EPDM, NBR, VMQ
- **Temperature Range** : 1 °C~ 65 °C
- **Operating Pressure** : Refer to the table below
- **Applicable Fluids** : Water, Food & Beverage

Φ	°C	1°C	25°C	65°C
4mm ~ 12mm (5/32" ~ 1/2")		10 Bar	10 Bar	7 Bar

Color Codes

BK Black **GY** Gray

POM | SINGLE CHECK VALVES | METRIC **BK**



Check Valve
HCVU

PART NO.	TUBE (Metric)	TUBE (Metric)	Qty/Box
HCVU 0404	04	04	50
HCVU 0606	06	06	50
HCVU 0808	08	08	50
HCVU 1010	10	10	25
HCVU 1212	12	12	25

POM | SINGLE CHECK VALVES | INCH **GY**



Check Valve
HCVU

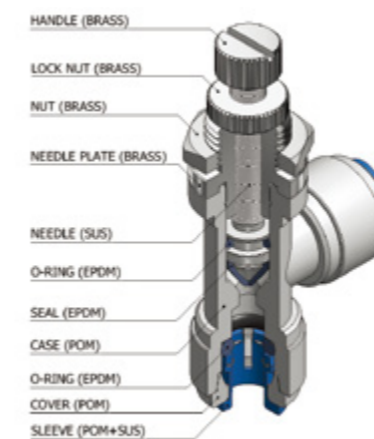
PART NO.	TUBE (Inch)	TUBE (Inch)	Qty/Box
HCVU 5/32-5/32	5/32	5/32	50
HCVU 1/4-1/4	1/4	1/4	50
HCVU 5/16-5/16	5/16	5/16	50
HCVU 3/8-3/8	3/8	3/8	25
HCVU 1/2-1/2	1/2	1/2	25

POM VALVES

Flow Control Valves

Technical information

Structural Diagram



Applications

- Constant flow rate by small airflow controlling

Features

- Used for Water and Beverages
- Easy installation convenient to use
- Stable to use with frequent temperature changes

Specifications

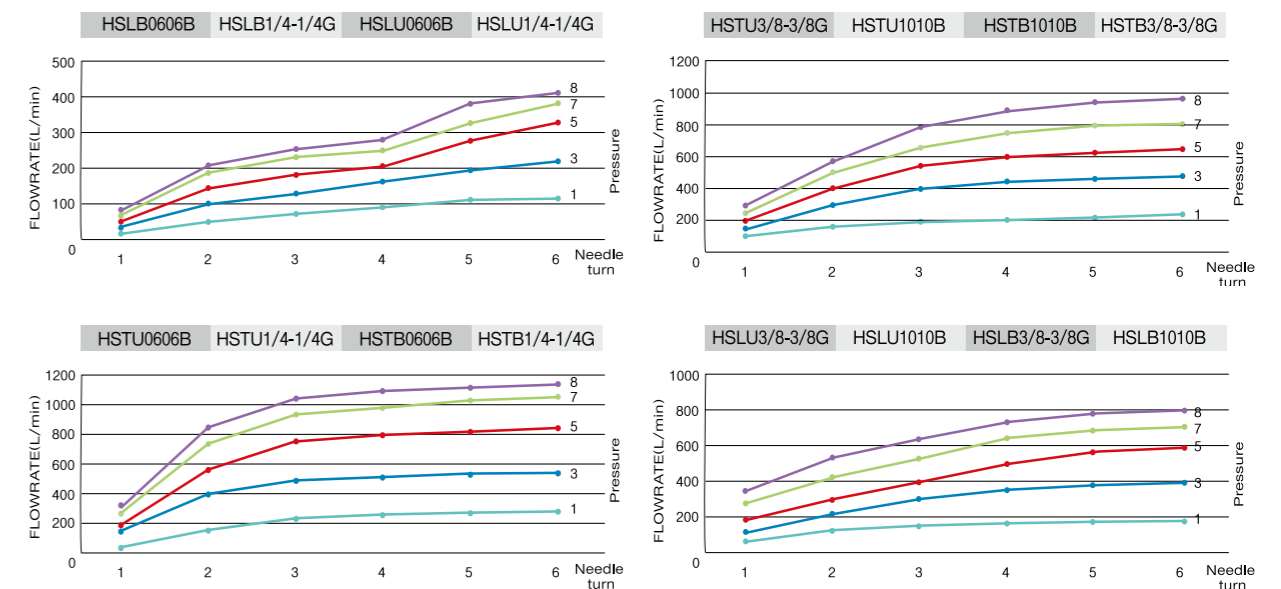
- **Material** : POM, SUS301, BRASS, EPDM
- **Temperature Range** : 1 °C~ 65 °C
- **Operating Pressure** : Refer to the table below
- **Applicable Fluids** : Water, Food & Beverage

Φ	°C	1°C	25°C	65°C
4mm ~ 12mm (5/32" ~ 1/2")		10 Bar	10 Bar	7 Bar

Color Codes

BK Black **GY** Gray

Flowrate



POM | FLOW CONTROL VALVES | METRIC **BK**



Flow Control Elbow Union
HSLB

PART NO.	TUBE (Metric)	TUBE (Metric)	Qty/Box
HSLB 0606	06	06	50
HSLB 1010	10	10	25



Flow Control Union Connector
HSTB

PART NO.	TUBE (Metric)	TUBE (Metric)	Qty/Box
HSTB 0606	06	06	50
HSTB 1010	10	10	25



Flow Control Elbow Union
HSLU

PART NO.	TUBE (Metric)	TUBE (Metric)	Qty/Box
HSLU 0606	06	06	50
HSLU 1010	10	10	25



Flow Control Union Connector
HSTU

PART NO.	TUBE (Metric)	TUBE (Metric)	Qty/Box
HSTU 0606	06	06	50
HSTU 1010	10	10	25

POM | FLOW CONTROL VALVES | INCH **GY**



Flow Control Elbow Union
HSLB

PART NO.	TUBE (Inch)	TUBE (Inch)	Qty/Box
HSLB 1/4-1/4	1/4	1/4	50
HSLB 3/8-3/8	3/8	3/8	25



Flow Control Union Connector
HSTB

PART NO.	TUBE (Inch)	TUBE (Inch)	Qty/Box
HSTB 1/4-1/4	1/4	1/4	50
HSTB 3/8-3/8	3/8	3/8	25



Flow Control Elbow Union
HSLU

PART NO.	TUBE (Inch)	TUBE (Inch)	Qty/Box
HSLU 1/4-1/4	1/4	1/4	50
HSLU 3/8-3/8	3/8	3/8	25



Flow Control Union Connector
HSTU

PART NO.	TUBE (Inch)	TUBE (Inch)	Qty/Box
HSTU 1/4-1/4	1/4	1/4	50
HSTU 3/8-3/8	3/8	3/8	25

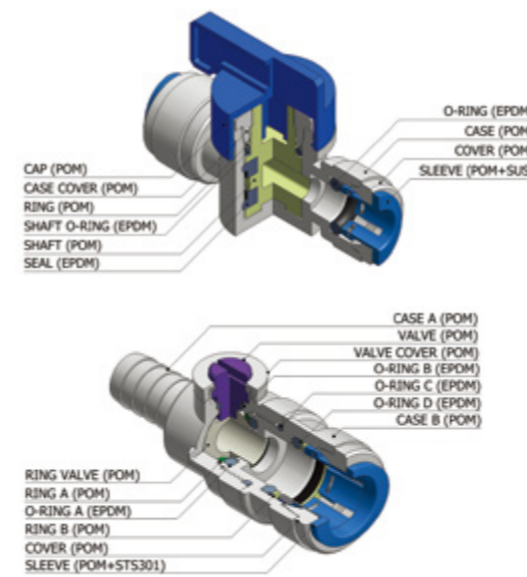
POM VALVES

BALL Valves

SHUT-OFF VALVE

Technical information

Structural Diagram



Applications

- The user switches On-Off valve to supply compressed air or fluid
- Suitable for air and water

Features

- Compact size and convenient to use in a narrow space
- Some valves are available without or with mouting clip
- Valves using for short or long handles depending on the application

Specifications

- **Material** : POM, SUS301, EPDM, NBR, VMQ
- **Temperature Range** : 1 °C~ 65 °C
- **Operating Pressure** : Refer to the table below
- **Applicable Fluids** : Water, Food & Beverage

Φ	°C	1°C	25°C	65°C
4mm ~ 12mm (5/32" ~ 1/2")		10 Bar	10 Bar	7 Bar

Color Codes

BK Black **GY** Gray **WT** White

POM | BALL VALVES | METRIC **BK**



Ball Valve (Shut-Off Valve)
HBVU

PART NO.	TUBE (Metric)	TUBE (Metric)	Qty/Box
HBVU 0404	04	04	
HBVU 0606	06	06	25
HBVU 0808	08	08	25
HBVU 1010	10	10	15
HBVU 1212	12	12	15

POM | BALL VALVES | INCH **WT**



Ball Valve (Shut-Off Valve)
HBVU

PART NO.	TUBE (Inch)	TUBE (Inch)	Qty/Box
HBVU 5/32-5/32	5/32	5/32	
HBVU 1/4-1/4	1/4	1/4	25
HBVU 5/16-5/16	5/16	5/16	25
HBVU 3/8-3/8	3/8	3/8	15
HBVU 1/2-1/2	1/2	1/2	15

POM

PP

PPSU

PE

SUS316L / PVDF

POM | BALL VALVES | METRIC ^{BK}



Ball Valve (Short Handle)
HBVU-S

PART NO.	TUBE (Metric)	TUBE (Metric)	Qty/Box
HBVU-S 0404	04	04	
HBVU-S 0606	06	06	25
HBVU-S 0808	08	08	25
HBVU-S 1010	10	10	15
HBVU-S 1212	12	12	15

POM | BALL VALVES | INCH ^{WT}



Ball Valve (Short Handle)
HBVU-S

PART NO.	TUBE (Inch)	TUBE (Inch)	Qty/Box
HBVU-S 5/32-5/32	5/32	5/32	
HBVU-S 1/4-1/4	1/4	1/4	25
HBVU-S 5/16-5/16	5/16	5/16	25
HBVU-S 3/8-3/8	3/8	3/8	15
HBVU-S 1/2-1/2	1/2	1/2	15

POM | BALL VALVES



Barb Connector Valve ^{BK}
HCVB

PART NO.	TUBE (Metric)	Tube I.D (Inch)	Qty/Bag
HCVB 15-1/2	15	1/2	20
HCVB 22-1/2	22	1/2	20
HCVB 22-3/4	22	3/4	20

*Bulk packaging



Male Ball Valve (Male Shut-Off Valve) ^{WT}
HBVC

PART NO.	TUBE (Inch)	THREAD (NPT)	Qty/Bag
HBVC 1/4-N02	1/4	NPT1/4	25
HBVC 3/8-N03	3/8	NPT3/8	15

*Bulk packaging



Angle Ball Valve ^{GY}
HASV

PART NO.	TUBE (Inch)	TUBE (Inch)	Qty/Bag
HASV 3/8-3/8	3/8	3/8	20

*Bulk packaging



^{WT}
HTVF

PART NO.	TUBE (Inch)	THREAD (NPT)	Qty/Bag
HTVF 3/8-N02	3/8	NPT1/4	20
HTVF 1/2-N02	1/2	NPT1/4	20
HTVF 5/8-N06	5/8	NPT1/4	20

*Bulk packaging



Female Adapter Ball Valve ^{GY}
HESV

PART NO.	TUBE (Inch)	THREAD (G)	Qty/Bag
HESV 3/8-G04	3/8	G1/2	20

*Bulk packaging



Angle Stop Valve ^{WT}
HACV

PART NO.	TUBE (Inch)	THREAD (G)	Qty/Bag
HACV 1/4-G03	1/4	G03	
HACV 1/4-G04	1/4	G04	
HACV 3/8-G03	3/8	G03	
HACV 3/8-G04	3/8	G04	

*Partial brass material



Faucet Ball Valve Adapter ^{GY}
HAAV

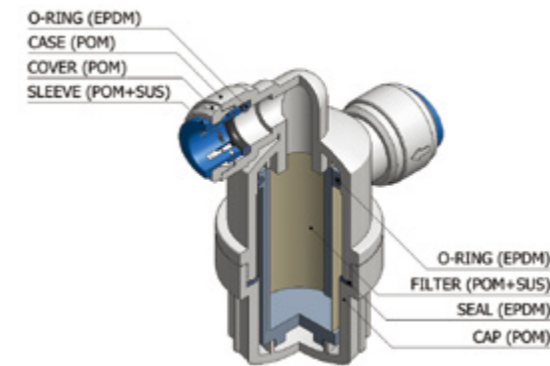
PART NO.	TUBE (Inch)	THREAD (G)	Qty/Bag
HAAV 1/4-G04	1/4	G1/2	20

*Bulk packaging

FILTER STRAINERS

Technical information

Structural Diagram



Applications

- It is stainless steel filter mesh (applied to 100 mesh or 200 mesh) and it filters out fine impurities

Features

- The screw typed cap of the filter has an easy installation and maintenance

Specifications

- Material :** POM, SUS301, EPDM
- Temperature Range :** 1 °C~ 65 °C
- Operating Pressure :** Refer to the table below
- Applicable Fluids :** Water, Food & Beverage

Φ	°C	1°C	25°C	65°C
4mm ~ 12mm (5/32" ~ 1/2")		10 Bar	10 Bar	7 Bar

Color Codes

^{BK} Black ^{GY} Gray

POM | FILTERS | METRIC ^{BK}



HBMU

PART NO.	TUBE (Metric)	TUBE (Metric)	Qty/Bag
HBMU 0808	08	08	20
HBMU 1010	10	10	20

*Bulk packaging

POM | FILTERS | INCH ^{GY}



HBMU

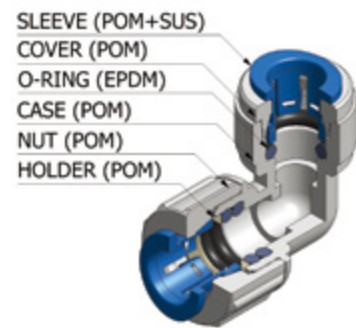
PART NO.	TUBE (Inch)	TUBE (Inch)	Qty/Bag
HBMU 1/4-1/4	1/4	1/4	20
HBMU 3/8-3/8	3/8	3/8	20

*Bulk packaging

STEELFIT

Technical information

Structural Diagram



Applications

- This product is used for stainless steel and other similar plated pipe & tube

Features

- Two O-rings provide more sealing effect at high temperature
- The nut & holder provides a stronger grip when connecting the pipe, and O-ring effectively seals the fitting

Specifications

- **Material** : POM, SUS301, EPDM
- **Temperature Range** : 1 °C~ 65 °C
- **Operating Pressure** : Refer to the table below
- **Applicable Fluids** : Water, Food & Beverage

Φ	°C	1°C	25°C	65°C
4mm ~ 12mm (5/32" ~ 1/2")		10 Bar	10 Bar	7 Bar

Color Codes

GY Gray

POM | STEELFIT | INCH GY



Union Connector (Single)

HUCP

PART NO.	TUBE (Inch)	TUBE (Inch)	Qty/Box
HUCP 1/4-5/16	1/4	5/16	50
HUCP 1/4-3/8	1/4	3/8	50
HUCP 5/16-5/16	5/16	5/16	50
HUCP 5/16-3/8	5/16	3/8	50
HUCP 5/16-1/2	5/16	1/2	50
HUCP 3/8-5/16	3/8	5/16	50
HUCP 3/8-3/8	3/8	3/8	50
HUCP 1/2-1/2	1/2	1/2	25



Elbow Union (Single)

HULP

PART NO.	TUBE (Inch)	TUBE (Inch)	Qty/Box
HULP 1/4-5/16	1/4	5/16	50
HULP 1/4-3/8	1/4	3/8	50
HULP 5/16-5/16	5/16	5/16	50
HULP 5/16-3/8	5/16	3/8	50
HULP 3/8-5/16	3/8	5/16	50
HULP 3/8-3/8	3/8	3/8	50
HULP 1/2-1/2	1/2	1/2	25



Elbow Union (Double)

HULS

PART NO.	TUBE (Inch)	TUBE (Inch)	Qty/Box
HULS 5/16-5/16	5/16	5/16	50



Union Tee

HUTP

PART NO.	TUBE (Inch)	TUBE (Inch)	Qty/Box
HUTP 5/16-5/16	5/16	5/16	50

CARTRIDGES

Technical information

How to assemble the cartridge



Applications

- Designed effectively for easy installation and time saving
- Offers more cost-effectiveness compared to fittings

Features

- Cartridges are used with in acetal and brass
- The cartridge made of EPDM O-ring and acetal collet (Sleeve)

Specifications

- **Material** : POM, SUS301, EPDM(Brass)
- **Temperature Range** : 1 °C~ 65 °C
- **Operating Pressure** : Refer to the table on the left
- **Applicable Fluids** : Water, Food & Beverage

Φ	°C	1°C	25°C	65°C
4mm ~ 12mm (5/32" ~ 1/2")		10 Bar	10 Bar	7 Bar

POM | CARTRIDGES | METRIC



Acetal Cartridge HALF

HCAS-P

PART NO.	TUBE (Metric)	Qty/Bag
HCAS-P 04	04	1,000
HCAS-P 06	06	1,000
HCAS-P 08	08	1,000
HCAS-P 10	10	1,000
HCAS-P 12	12	1,000

*Bulk packaging

POM | CARTRIDGES | INCH



Acetal Cartridge HALF

HCAS-P

PART NO.	TUBE (Inch)	Qty/Bag
HCAS-P 5/32	5/32	1,000
HCAS-P 1/4	1/4	1,000
HCAS-P 5/16	5/16	1,000
HCAS-P 3/8	3/8	1,000
HCAS-P 1/2	1/2	1,000

*Bulk packaging

HALF Half Cartridges FULL Full Cartridges

POM | CARTRIDGES | METRIC



Brass Cartridge **HALF**
HCAS-H

PART NO.	TUBE (Metric)	Qty/Bag
HCAS-H 04	04	1,000
HCAS-H 06	06	1,000
HCAS-H 08	08	1,000
HCAS-H 10	10	1,000
HCAS-H 12	12	1,000

*Bulk packaging

POM | CARTRIDGES | INCH



Brass Cartridge **HALF**
HCAS-H

PART NO.	TUBE (Inch)	Qty/Bag
HCAS-H 5/32	5/32	1,000
HCAS-H 1/4	1/4	1,000
HCAS-H 5/16	5/16	1,000
HCAS-H 3/8	3/8	1,000
HCAS-H 1/2	1/2	1,000

*Bulk packaging



Brass Cartridge **FULL**
HCAS-F

PART NO.	TUBE (Metric)	Qty/Bag
HCAS-F 04	04	1,000
HCAS-F 06	06	1,000
HCAS-F 08	08	1,000
HCAS-F 10	10	1,000
HCAS-F 12	12	1,000

*Bulk packaging



Brass Cartridge **FULL**
HCAS-F

PART NO.	TUBE (Inch)	Qty/Bag
HCAS-F 5/32	5/32	1,000
HCAS-F 1/4	1/4	1,000
HCAS-F 5/16	5/16	1,000
HCAS-F 3/8	3/8	1,000
HCAS-F 1/2	1/2	1,000

*Bulk packaging

HALF Half Cartridges **FULL** Full Cartridges

ACCESSORIES

POM | ACCESSORIES | METRIC



Locking Clip
HCP

PART NO.	TUBE (Metric)	Qty/Box
HCP 04	04	1000
HCP 06	06	1000
HCP 08	08	1000
HCP 10	10	1000
HCP 12	12	1000
HCP 15	15	500
HCP 22	22	300

POM | ACCESSORIES | INCH



Locking Clip
HCP

PART NO.	TUBE (Inch)	Qty/Box
HCP 5/32	5/32	1000
HCP 3/16	3/16	1000
HCP 1/4	1/4	1000
HCP 5/16	5/16	1000
HCP 3/8	3/8	1000
HCP 1/2	1/2	1000



Tube Insert
HTI

PART NO.	TUBE O.D	TUBE I.D	Qty/Box
HTI 1209	12	09	100

POM | ACCESSORIES

Mounting Clip
HMCP



PART NO.	TUBE O.D	Qty/Box
HMCP 06-1/4	6mm or 1/4	Bulk
HMCP 10-3/8	10mm or 3/8	Bulk

Spanner
HRT



PART NO.	Qty/Box
HRT	5/32 or 3/16 or 4mm
HRT	1/4 or 6mm
HRT	5/16 or 8mm
HRT	3/8 or 10mm
HRT	1/2 or 12mm

*Bulk packaging



Tube Cutter
ETC-20

PART NO.
ETC-20

Fluidfit

PP Series

Polypropylene

Valves

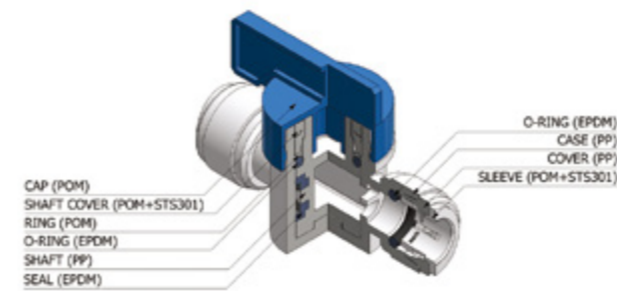


PP VALVES

Ball VALVES

Technical information

Structural Diagram



Applications

- More chemically resistant than acetal
- Used in water supply feed line, Beverage dispenser

Features

- Enhanced Chemically Resistant

Specifications

- **Material** : PP(Polypropylene), POM, SUS301, EPDM Seal
- **Temperature Range** : 1 °C~ 60 °C
- **Operating Pressure** : Refer to the table below
- **Applicable Fluids** : Water, Food & Beverage

Φ	°C	1°C	20°C	60°C
4mm ~ 12mm (5/32" ~ 1/2")		10 Bar	10 Bar	4 Bar

Color Codes

WT White

PP | BALL VALVES | METRIC



Ball Valve (Shut-Off Valve)

PHBVU

PART NO.	TUBE (Metric)	TUBE (Metric)	Qty/Box
PHBVU 0606	06	06	25
PHBVU 0808	08	08	25
PHBVU 1010	10	10	15
PHBVU 1212	12	12	15

PP | BALL VALVES | INCH



Ball Valve (Shut-Off Valve)

PHBVU

PART NO.	TUBE (Inch)	TUBE (Inch)	Qty/Box
PHBVU 1/4-1/4	1/4	1/4	25
PHBVU 5/16-5/16	5/16	5/16	25
PHBVU 3/8-3/8	3/8	3/8	15
PHBVU 1/2-1/2	1/2	1/2	15

POM

PP

PPSU

PE

SUS316L / PVDF

Fluidfit

PPSU Series

Polyphenylsulfone

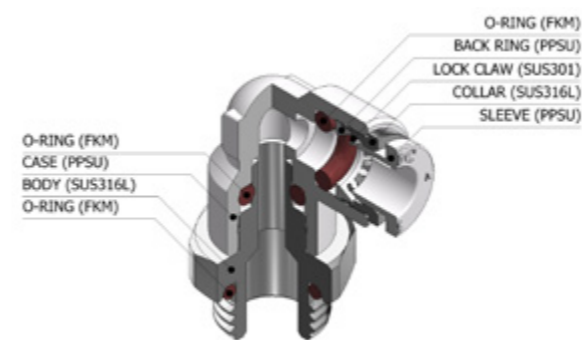
Fittings



PPSU Fittings

Technical information

Structural Diagram



Applications

- Ideal for high-temp/high-pressure fluid lines. Perfectly suited for hygienic applications across Food & Beverage, Medical, Semiconductor, and Lab Equipment

Features

- Stable at up to 140°C. Features superior chemical/moisture resistance and perfect sealing via easy, one-touch assembly

Color Codes

WT White

Specifications

- **Material** : PPSU(Polyphenylsulfone), FKM Seal, SUS316L
- **Temperature Range** : -20°C~140°C
- **Operating Pressure** : Refer to the table below
- **Applicable Fluids** : Hot water, Coffee, Steam

Φ	°C	-20°C	20°C	100°C	140°C
4		20 Bar	20 Bar	16 Bar	10 Bar
6		20 Bar	20 Bar	16 Bar	10 Bar
8		16 Bar	16 Bar	12 Bar	6 Bar

* Operating pressure may vary depending on tube size and temperature.



Male Elbow
HTPL

PART NO.	TUBE (Metric)	THREAD (G)	Qty/Box
HTPL 04-G01	04	G01	
HTPL 04-G02	04	G02	
HTPL 06-G01	06	G01	
HTPL 06-G02	06	G02	
HTPL 08-G01	08	G01	
HTPL 08-G02	08	G02	
HTPL 08-G03	08	G03	



Male Branch Tee
HTPT

PART NO.	TUBE (Metric)	THREAD (G)	Qty/Box
HTPT 04-G01	04	G01	
HTPT 04-G02	04	G02	
HTPT 06-G01	06	G01	
HTPT 06-G02	06	G02	
HTPT 08-G01	08	G01	
HTPT 08-G02	08	G02	
HTPT 08-G03	08	G03	



Male Run Tee
HTST

PART NO.	TUBE (Metric)	THREAD (G)	Qty/Box
HTST 04-G01	04	G01	
HTST 04-G02	04	G02	
HTST 06-G01	06	G01	
HTST 06-G02	06	G02	
HTST 08-G01	08	G01	
HTST 08-G02	08	G02	
HTST 08-G03	08	G03	



Male Y
HTWT

PART NO.	TUBE (Metric)	THREAD (G)	Qty/Box
HTWT 04-G01	04	G01	
HTWT 04-G02	04	G02	
HTWT 06-G01	06	G01	
HTWT 06-G02	06	G02	
HTWT 08-G01	08	G01	
HTWT 08-G02	08	G02	
HTWT 08-G03	08	G03	



Female Elbow
HTLF

PART NO.	TUBE (Metric)	THREAD (G)	Qty/Box
HTLF 04-G01	04	G01	
HTLF 04-G02	04	G02	
HTLF 06-G01	06	G01	
HTLF 06-G02	06	G02	
HTLF 08-G01	08	G01	
HTLF 08-G02	08	G02	



Female Branch Tee
HTTF

PART NO.	TUBE (Metric)	THREAD (G)	Qty/Box
HTTF 04-G01	04	G01	
HTTF 04-G02	04	G02	
HTTF 06-G01	06	G01	
HTTF 06-G02	06	G02	
HTTF 08-G01	08	G01	
HTTF 08-G02	08	G02	



Female Run Tee
HTSF

PART NO.	TUBE (Metric)	THREAD (G)	Qty/Box
HTSF 04-G01	04	G01	
HTSF 04-G02	04	G02	
HTSF 06-G01	06	G01	
HTSF 06-G02	06	G02	
HTSF 08-G01	08	G01	
HTSF 08-G02	08	G02	



Female Y
HTWF

PART NO.	TUBE (Metric)	THREAD (G)	Qty/Box
HTWF 04-G01	04	G01	
HTWF 04-G02	04	G02	
HTWF 06-G01	06	G01	
HTWF 06-G02	06	G02	
HTWF 08-G01	08	G01	
HTWF 08-G02	08	G02	



Union Straight
HTUC

PART NO.	TUBE (Metric)	TUBE (Metric)	Qty/Box
HTUC 0404	04	04	
HTUC 0604	06	04	
HTUC 0606	06	06	
HTUC 0806	08	06	
HTUC 0808	08	08	



Union Elbow
HTUL

PART NO.	TUBE (Metric)	TUBE (Metric)	Qty/Box
HTUL 0404	04	04	
HTUL 0604	06	04	
HTUL 0606	06	06	
HTUL 0806	08	06	
HTUL 0808	08	08	



Union Tee
HTUT

PART NO.	TUBE (Metric)	TUBE (Metric)	Qty/Box
HTUT 0404	04	04	
HTUT 0604	06	04	
HTUT 0606	06	06	
HTUT 0608	06	08	
HTUT 0806	08	06	
HTUT 0808	08	08	



Union Y
HTUY

PART NO.	TUBE (Metric)	TUBE (Metric)	Qty/Box
HTUY 0404	04	04	
HTUY 0604	06	04	
HTUY 0606	06	06	
HTUY 0806	08	06	
HTUY 0808	08	08	

Fluidfit

PE Series

Polyethylene

Tubes



PE TUBE

Technical information

Applications ▪ Water purification, water conditioners, ice makers, misting systems and food contact application

Features ▪ A wide range of temperature and pressure suitability
 ▪ Broad chemical compatibility
 ▪ PE tubing is made from FDA compliant and non contaminating materials

Specifications ▪ **Tube Tolerance** : +0.1mm/-0.1mm
 ▪ **Temperature Range** : -20°F(-29°C) ~ +150°F(66°C)

Available Sizes

Size	5/32"	3/16"	1/4"	5/16"	3/8"	1/2"
	4mm	5mm	6mm	8mm	10mm	12mm
Pressure	230 PSI			170 PSI		

Colors & Certifications by Product

■ PE ▨ BPE

Color	Natural	Black	White	Red	Blue	Yellow	Green
	○	● ▨	○	● ▨	● ▨	● ▨	● ▨
Certified	○	●	○	●	●	●	●
		●		●	●		

PE



Metric size tube

PART NO.	Material	O.D(mm)	I.D(mm)	Reel Length(Meter)
PE 0425	LLDPE	4	2.5	200
PE 0640	LLDPE	6	4	100
PE 0860	LLDPE	8	6	100
PE 1070	LLDPE	10	7	100
PE 1290	LLDPE	12	9	100
PE 15115	LLDPE	15	11.5	50

Inch size tube

PART NO.	Material	O.D(mm)	I.D(mm)	Reel Length(Meter)
PE 5/32	LLDPE	4	2.5	200
PE 3/16	LLDPE	4.76	3.17	200
PE 1/4	LLDPE	6.35	4.32	100
PE 5/16	LLDPE	8	5.48	100
PE 3/8	LLDPE	9.52	6.35	100
PE 1/2	LLDPE	12.7	9.52	100

BPE



Metric size tube

PART NO.	Material	O.D(mm)	I.D(mm)	Reel Length(Meter)
BPE 0425	LLDPE	4	2.5	200
BPE 0640	LLDPE	6	4	100
BPE 0860	LLDPE	8	6	100
BPE 1070	LLDPE	10	7	100
BPE 1290	LLDPE	12	9	100
BPE 15115	LLDPE	15	11.5	50

Inch size tube

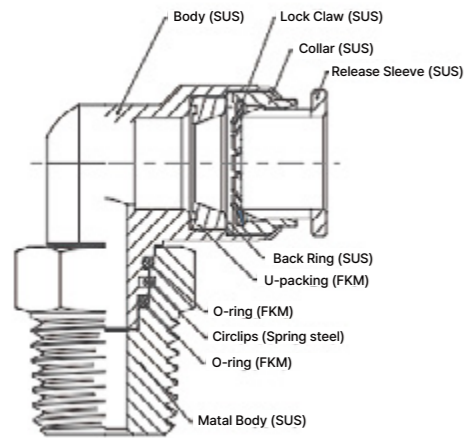
PART NO.	Material	O.D(mm)	I.D(mm)	Reel Length(Meter)
BPE 5/32	LLDPE	4	2.5	200
BPE 3/16	LLDPE	4.76	3.17	200
BPE 1/4	LLDPE	6.35	4.32	100
BPE 5/16	LLDPE	8	5.48	100
BPE 3/8	LLDPE	9.52	6.35	100
BPE 1/2	LLDPE	12.7	9.52	100

SUS316L

316L Stainless Steel

Technical information

Structural Diagram



Applications

- F&B Plant Internal Piping
- Pharmaceutical & Bio F&B Processes
- High-Temp & High-Pressure Drinking Water Lines
- CIP / SIP Integrated Sections

Features

- High Temperature & Pressure Resistance
- Ultimate Corrosion Resistance
- Superior Mechanical Strength

Specifications

- **Material** : SUS316L, FKM
- **Temperature Range** : -15~220°C
- **Operating Pressure** : -0.95bar ~ 15bar
- **Applicable Fluids** : Air, Water, Vacuum

SUS316L | FITTINGS



Bulkhead Union
SS-PMM

PART NO.		
SS-PMM 04	SS-PMM 08	SS-PMM 12
SS-PMM 06	SS-PMM 10	



Bulkhead Female Straight
SS-PMF

PART NO.		
SS-PMF 0401	SS-PMF 0801	SS-PMF 1202
SS-PMF 0402	SS-PMF 0802	SS-PMF 1203
SS-PMF 0601	SS-PMF 1002	SS-PMF 1204
SS-PMF 0602	SS-PMF 1003	



Union Tee
SS-PUT

PART NO.		
SS-PUT 04	SS-PUT 08	SS-PUT 12
SS-PUT 06	SS-PUT 10	



Male Branch Tee
SS-PT

PART NO.		
SS-PT 0401	SS-PT 0801	SS-PT 1003
SS-PT 0601	SS-PT 0802	SS-PT 1203
SS-PT 0602	SS-PT 1002	SS-PT 1204



Male Elbow
SS-PL

PART NO.		
SS-PL 04M5	SS-PL 0603	SS-PL 1002
SS-PL 0401	SS-PL 0604	SS-PL 1003
SS-PL 0402	SS-PL 0801	SS-PL 1004
SS-PL 06M5	SS-PL 0802	SS-PL 1202
SS-PL 0601	SS-PL 0803	SS-PL 1203
SS-PL 0602	SS-PL 0804	SS-PL 1204



Union Elbow
SS-PUL

PART NO.		
SS-PUL 04	SS-PUL 08	SS-PUL 12
SS-PUL 06	SS-PUL 10	

SUS316L | FITTINGS



Male Straight
SS-PC

PART NO.		
SS-PC 04M5	SS-PC 0603	SS-PC 1002
SS-PC 0401	SS-PC 0604	SS-PC 1003
SS-PC 0402	SS-PC 0801	SS-PC 1004
SS-PC 06M5	SS-PC 0802	SS-PC 1202
SS-PC 0601	SS-PC 0803	SS-PC 1203
SS-PC 0602	SS-PC 0804	SS-PC 1204



Female Straight
SS-PCF

PART NO.		
SS-PCF 0401	SS-PCF 0801	SS-PCF 1202
SS-PCF 0402	SS-PCF 0802	SS-PCF 1203
SS-PCF 0601	SS-PCF 1002	SS-PCF 1204
SS-PCF 0602	SS-PCF 1003	



Union Straight
SS-PUC

PART NO.		
SS-PUC 04	SS-PUC 08	SS-PUC 12
SS-PUC 06	SS-PUC 10	



Reducer
SS-PG

PART NO.		
SS-PG 0604	SS-PG 1006	SS-PG 1210
SS-PG 0804	SS-PG 1008	SS-PG 1612
SS-PG 0806	SS-PG 1208	

* The listed models are available for order. The SS-PG model is scheduled for future release.

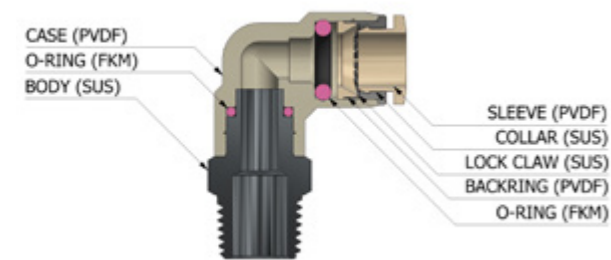
* The listed models are available for order. The SS-PG model is scheduled for future release.

PVDF

Polyvinylidene Fluoride

Technical information

Structural Diagram



Applications

- Semiconductor & Display Auxiliary Processes
- Battery & Secondary Cell Manufacturing
- Chemical Industry

Features

- Excellent Chemical Resistance
- High Mechanical Strength
- Superior Heat Resistance
- Excellent Dielectric Properties

Specifications

- **Material** : PVDF(Polyvinylidene Fluoride), FKM, SUS316L
- **Temperature Range** : -20~120°C
- **Operating Pressure** : Refer to the table on the left
- **Applicable Fluids** : Chemical Industry

Φ	°C	20°C	100°C	120°C
4mm ~ 6mm (5/32" ~ 5/16")		20 Bar	10 Bar	3 Bar
8mm (5/16")		20 Bar	8 Bar	
10mm ~ 12mm (3/8" ~ 1/2")		12 Bar	6 Bar	



Straight
PC Type

Union Tee
PUT Type

Male Y
PWT Type

Elbow
PL Type

Union Straight
PUC Type

Union Y
PY Type

Branch Tee
PT Type

Union Elbow
PUL Type

* The listed models will be released first, with additional lineups to follow.



+82-53-354-7501

| **Head Office** | #30 1 Gil Secheon-ro, Dasa-eup, Dalseong-gun, Daegu, Korea, 42921
TEL. 1588-0679 **FAX.** 82-53-353-7503

| **Seoul Office** | #579, Gyeongin-ro, Guro-gu, Seoul, Korea
TEL. 82-2-2635-1225 **FAX.** 82-2-2675-8265

